

Lucent Technologies
Bell Labs Innovations



CIB 2853

(7303H01) 10-Button Voice Terminal
(3161)

CIB 2853
Comcode 845-655-596
Issue 5

CIB 2853 (7303H01) 10-Button Voice Terminal (3161)

The 10-Button Voice Terminal (Figure 1) allows access to intercom and outside lines as well as to programmable and other button features that may be provided in your communications system.

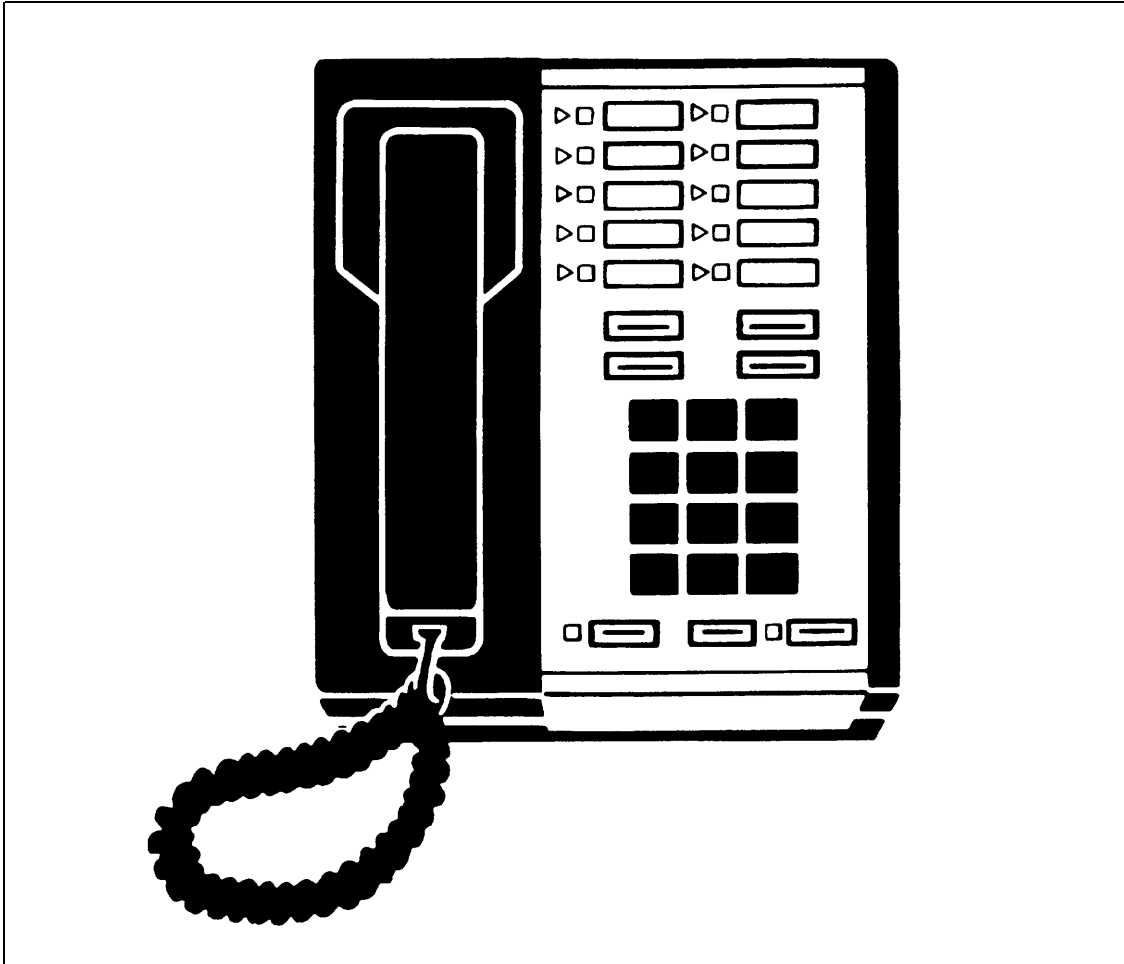


FIGURE 1 10-Button Voice Terminal

Assembling Your Voice Terminal

Your 10-Button Voice Terminal comes with the following components:

- Voice terminal body
- Handset (with handset cord attached)
- Modular voice terminal cord
- Plastic desk stand/wall mount (with rubber feet attached)

If your voice terminal is to be wall mounted, you should have purchased the (D1-181230) hardware kit for the wall mount separately from the 10-Button Voice Terminal. The kit's order number (comcode) is 103995882.

The three pieces of the desk stand/wall mount are attached to each other (Figure 2). The names Base, Desk Support, and Wall Support are imprinted on the appropriate plastic parts. Separate instructions follow for each application.

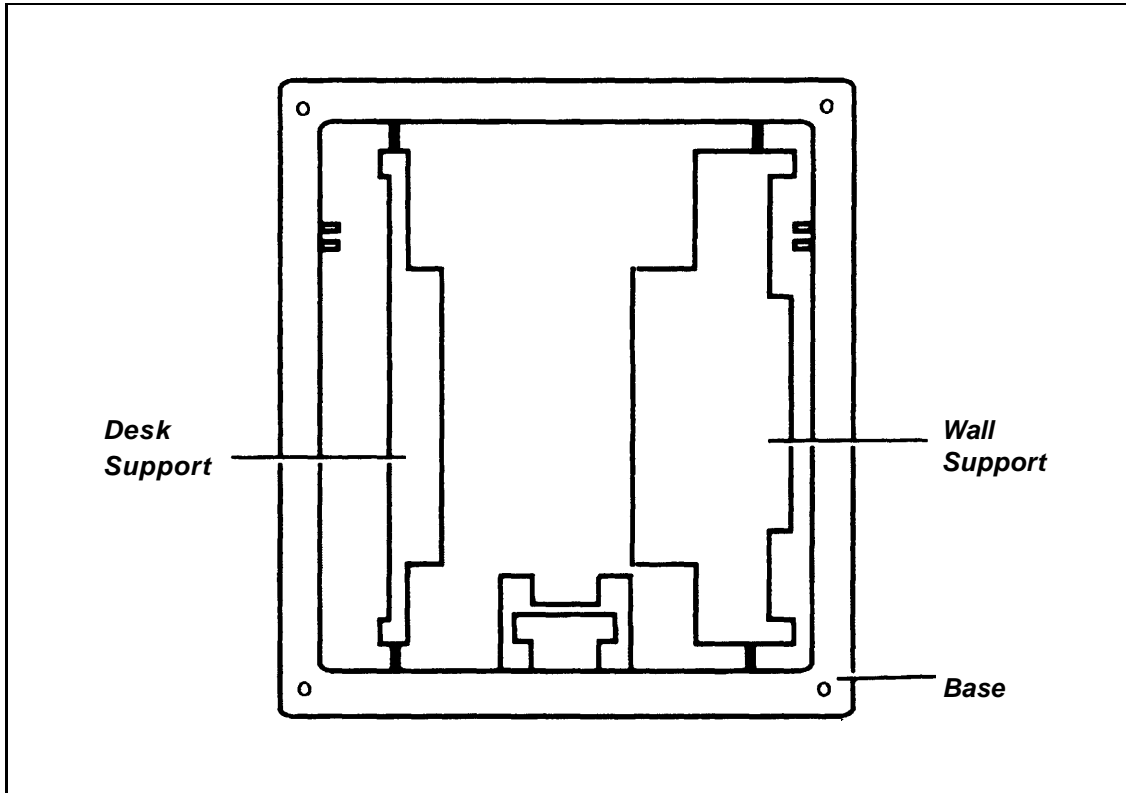


FIGURE 2 Unassembled Desk Stand/Wall Mount

DESK STAND ASSEMBLY

- 1 Break the pieces labeled Desk Support and Wall Support away from the Base and remove the rough edges where they were attached. Set aside the wall support piece in case you later decide to wall mount your voice terminal.
- 2 Place the base right side up on a flat surface. Hold the desk support so its label is facing upward. Insert the angled tabs on the desk support into the slots on the base (Figure 3).

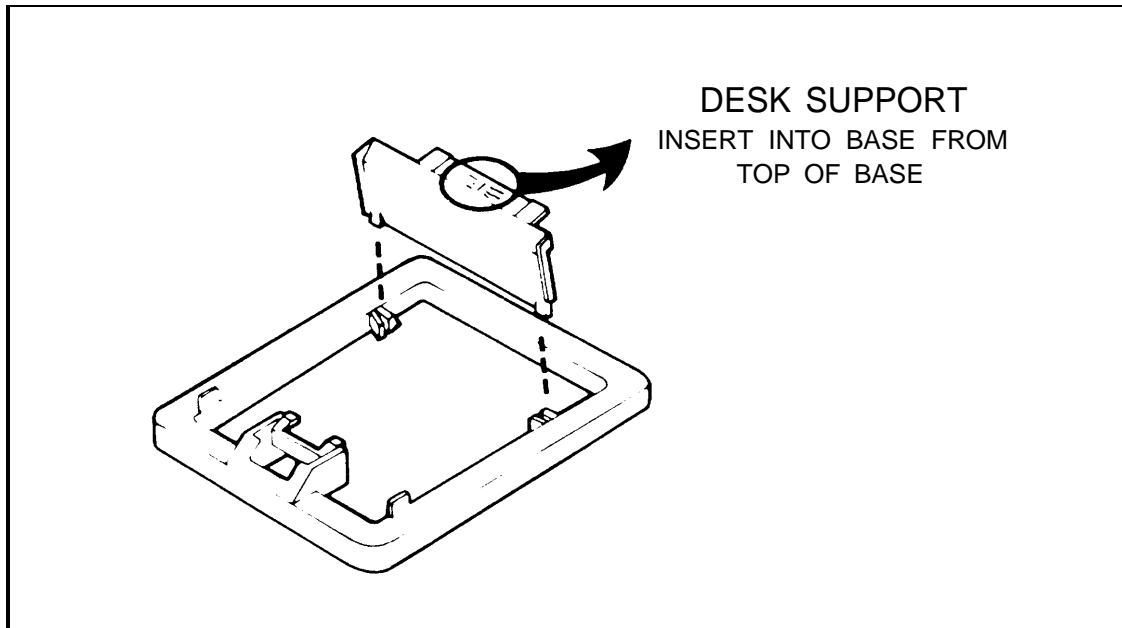


FIGURE 3 Assembling the Desk Stand

- 3 Turn the voice terminal upside down. Holding the stand upside down, position the stand on the voice terminal so that the stand's mounting slots (Figure 4A) fit just below the voice terminal's mounting tabs (Figure 4B).

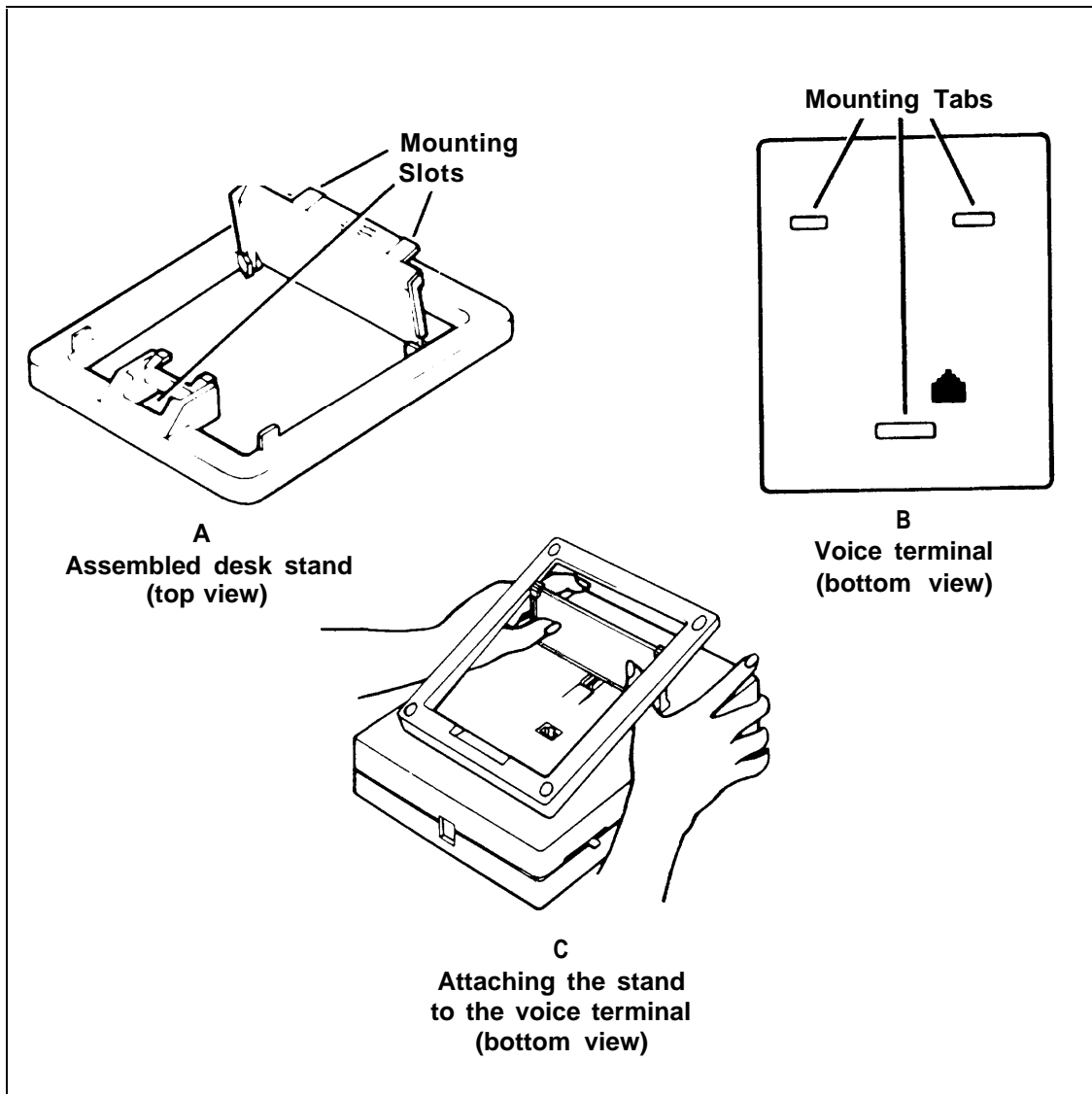


FIGURE 4 Attaching the Voice Terminal to the Desk Stand

- 4 Gently slide the stand upward so that the voice terminal tabs fit securely in the three mounting slots on the stand (Figure 4C).
- 5 Thread one end of a modular voice terminal cord between the base of the desk stand and the bottom of the voice terminal and plug it into the jack labeled Line on the bottom of the voice terminal.
- 6 Plug one end of the handset cord into the jack on the lower right of the voice terminal.
- 7 Turn the voice terminal right side up and place the handset in the cradle (Figure 5).

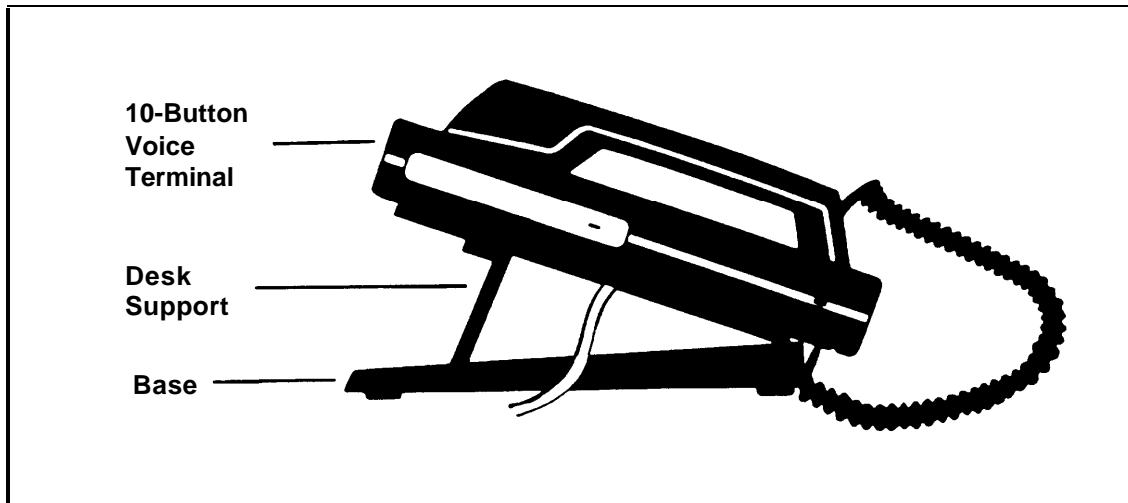


FIGURE 5 10-Button Voice Terminal Attached to the Desk Stand

- 8 Check to see that the other end of the handset cord is attached to the handset. If it is not, plug it into the handset now.
- 9 Plug the other end of the modular voice terminal cord into the jack connection (Figure 6) which is one of the following:
 - a modular voice terminal extension cord or a modular voice terminal jack.
 - a voice terminal jack in the control unit.

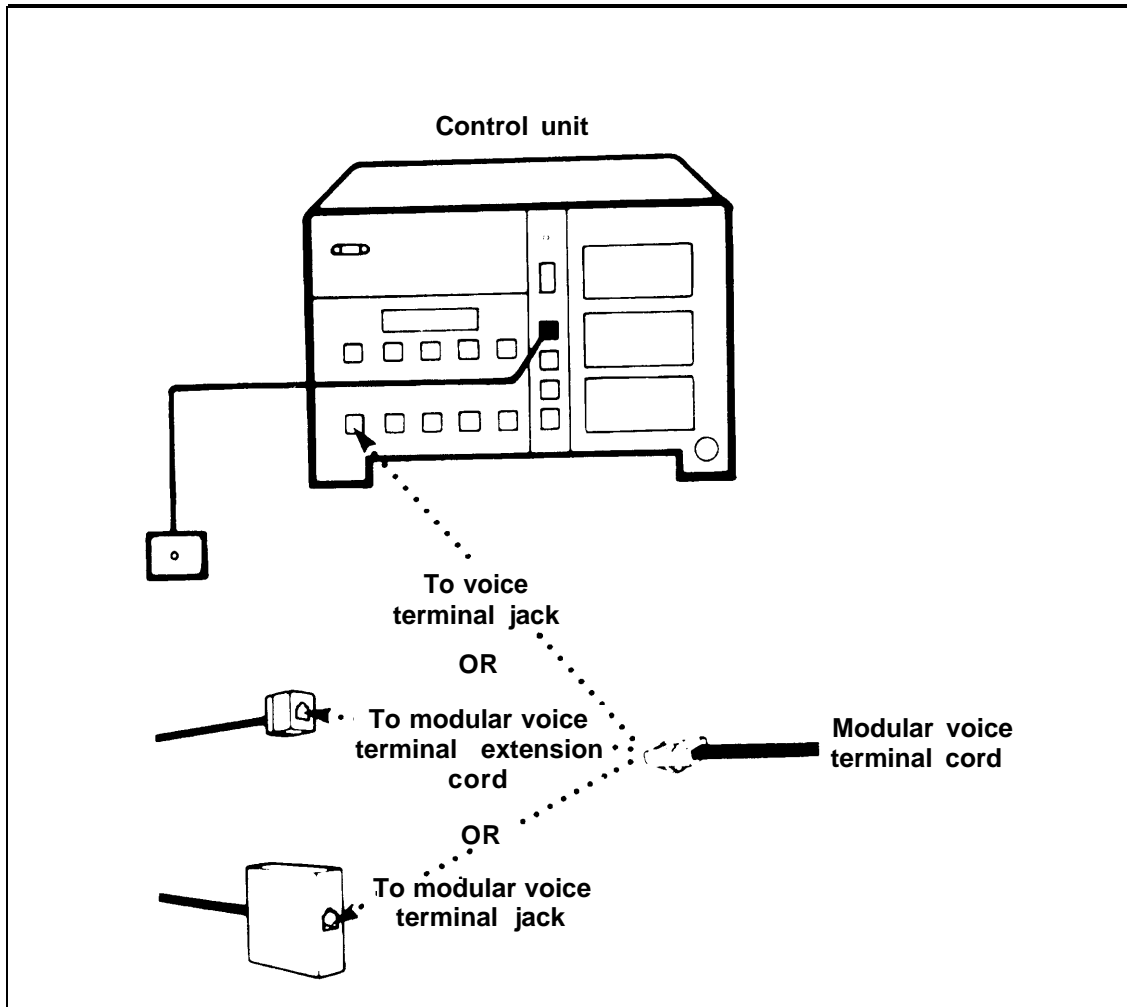


FIGURE 6 Connecting the Voice Terminal Cord

- 10 To remove the voice terminal from the desk stand, set the handset aside, turn the voice terminal upside down, and unplug the modular voice terminal cord. Slide the desk stand off the mounting tabs of the voice terminal.

WALL MOUNT ASSEMBLY

Installing the Wall Mount

- 1 Break the pieces labeled Desk Support and Wall Support away from the Base and remove the rough edges where they were attached. Set aside the desk support piece in case you later decide to mount your voice terminal on the desk stand. Use a pointed object or the tip of a screwdriver to remove the four rubber feet in each corner on the bottom of the base.
- 2 Place the wall support on a table or desk (Figure 7). Lower the base over the wall support, inserting the tabs on the wall support into the slots on the base.

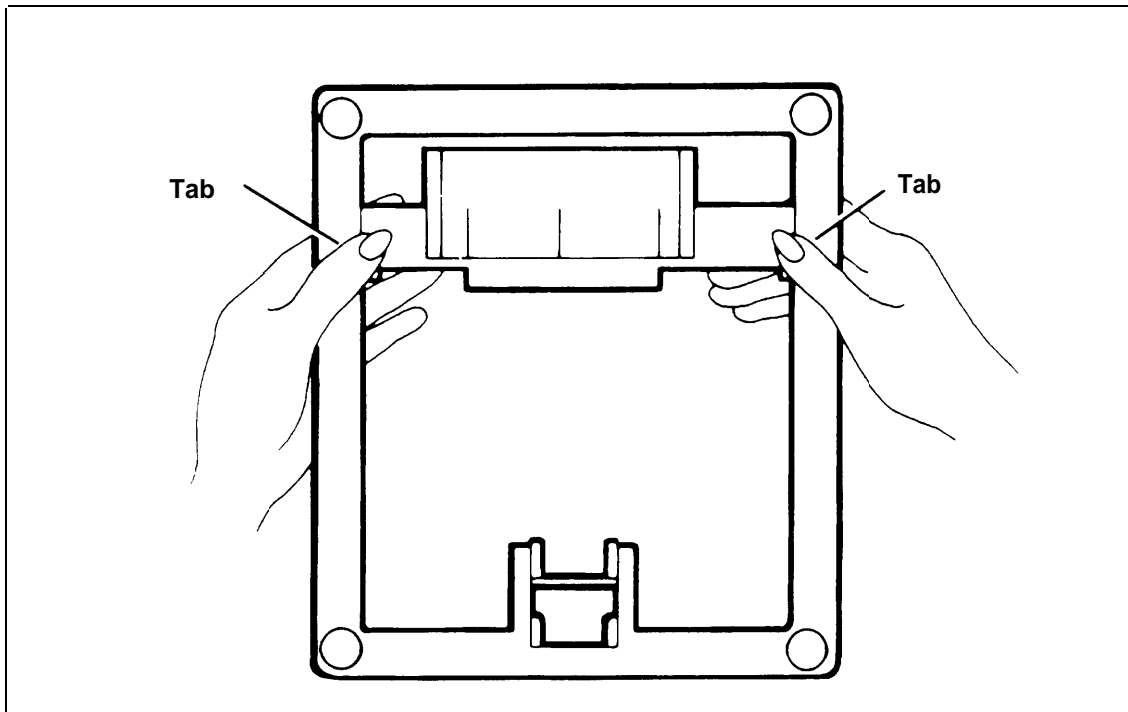


FIGURE 7 Assembling the Wall Mount (Bottom View)

- 3 Lift the base and push the wall support through the slots until it fits firmly in place. Turn the base over.
- 4 Using a 3/16" drill bit, enlarge the four mounting screw holes (Figure 2) in each corner of the base.
- 5 Select a mounting space at least as large as the voice terminal.
- 6 Using the base as a template, mark the four mounting screw locations on the wall.
- 7 Using a 5/16" drill bit, drill a hole at each of the four marked mounting screw locations on the wall.
- 8 Unpack the hardware kit, which was ordered separately from the voice terminal. Select the proper sized toggle bolts for the thickness of your walls:
 - For walls 3/8" to 1/2" thick, use the smaller of the two sizes of toggle bolts.
 - For walls 5/8" to 3/4" thick, use the larger of the two sizes.
 - For solid walls, use either of the two sizes.
- 9 Insert one toggle bolt into each of the four drilled holes (Figure 8A). Tap each toggle bolt with a hammer until it is flush with the wall (Figure 8B).

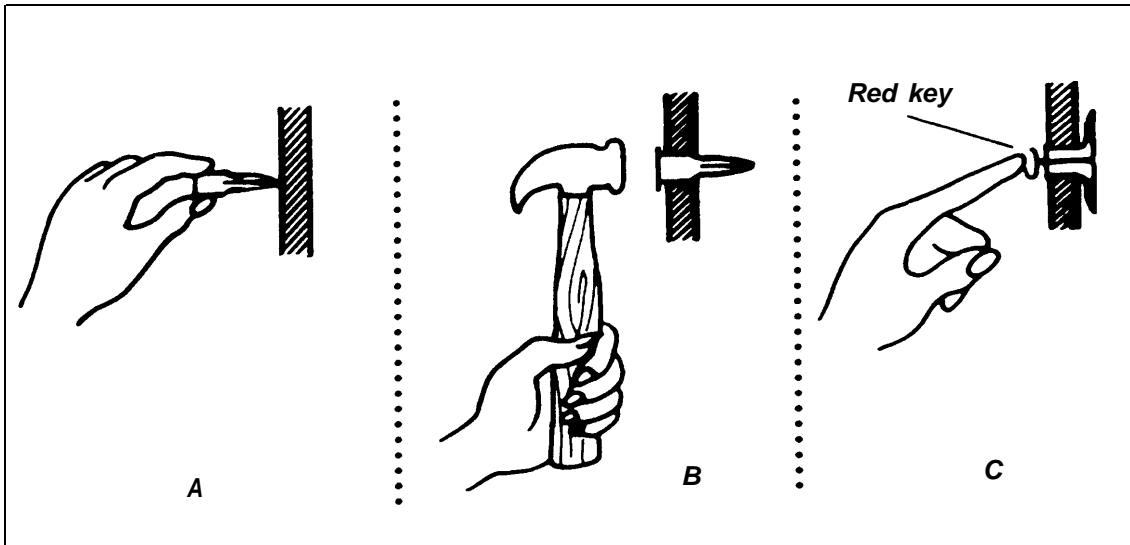


FIGURE 8 Installing Toggle Bolts for Wall-Mounting the Voice Terminal

- 10 Insert the red key (provided in the hardware kit) into a toggle bolt, and push with your fingertip (do not force or hammer the red key) to pop open the toggle bolt (Figure 8C). Remove the red key and repeat this procedure for the remaining three toggle bolts.
- 11 Line up the holes in the base with the toggle bolts in the wall.
- 12 Insert the top two screws into the base and partially thread the screws into the toggle bolts.
- 13 Insert the two remaining screws into the lower mounting holes and tighten all four screws (Figure 9).

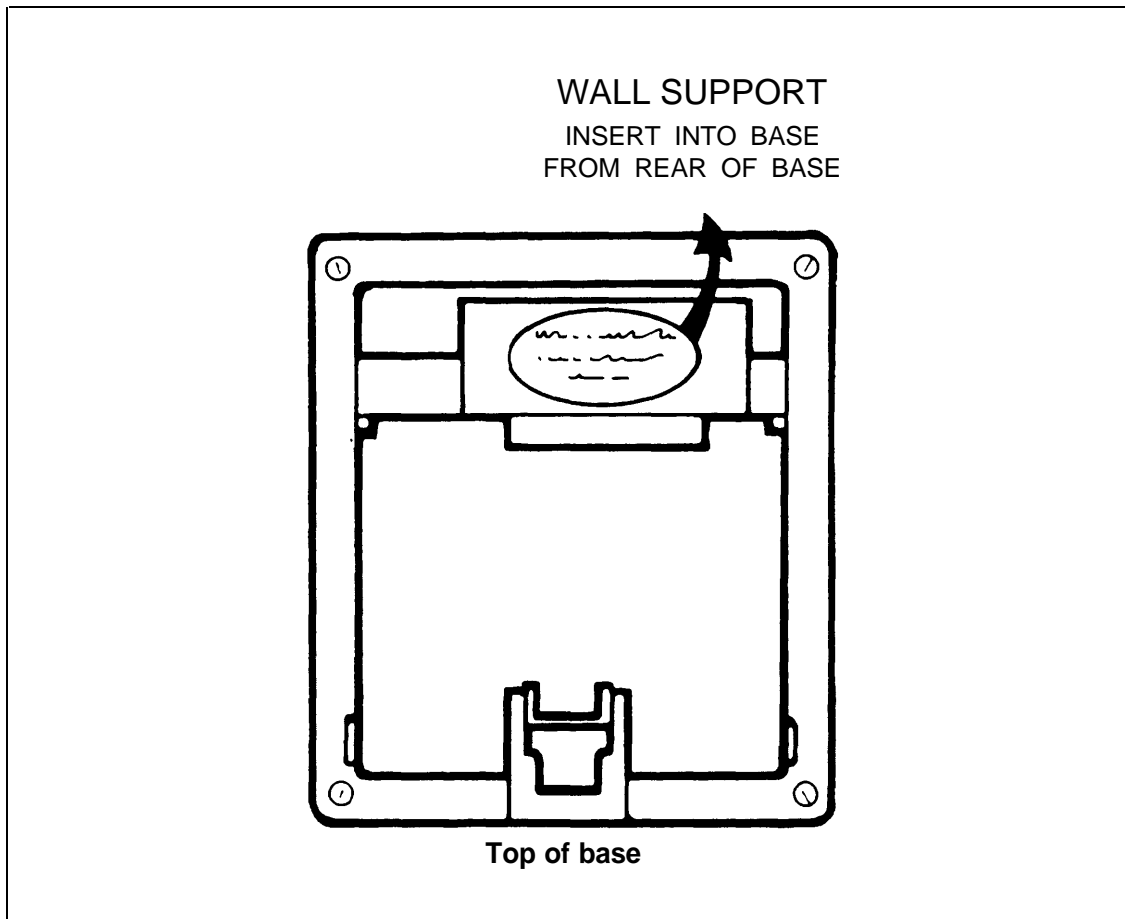


FIGURE 9 Wall Mount Attached to the Wall

Converting a Voice Terminal for Wall-Mounting

- 1 Remove the number card retainer with a straightened paper clip or similar device and remove the number card (Figure 10).

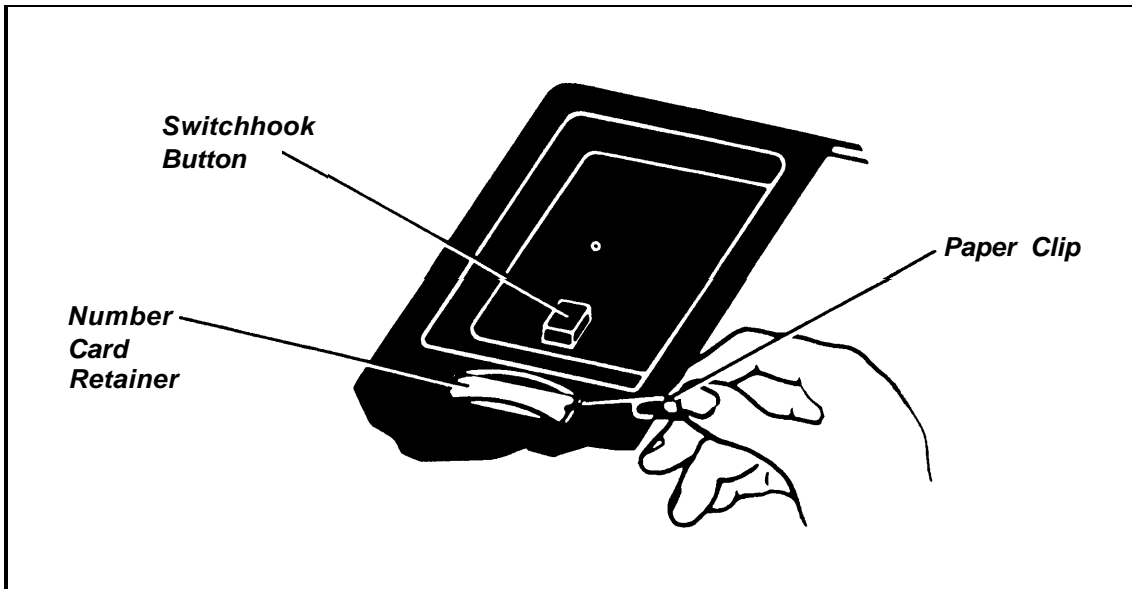


FIGURE 10 Removing the Number Card and Retainer

- 2 Remove the screw under the number card and lift out the handset retainer from the upper housing (Figure 11).

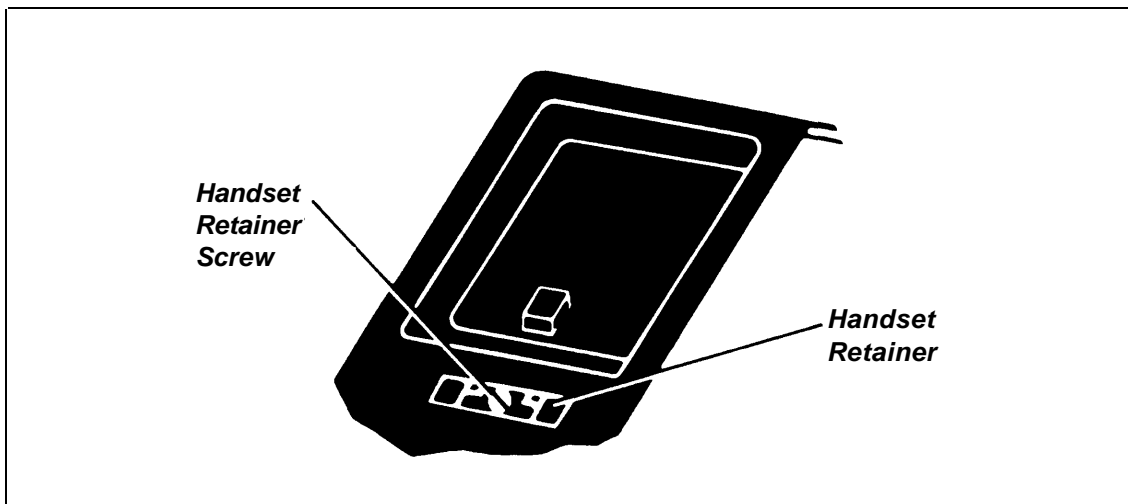


FIGURE 11 Handset Retainer and Screw

- 3 Turn the handset retainer upside down and rotate it 180 degrees (Figure 12).

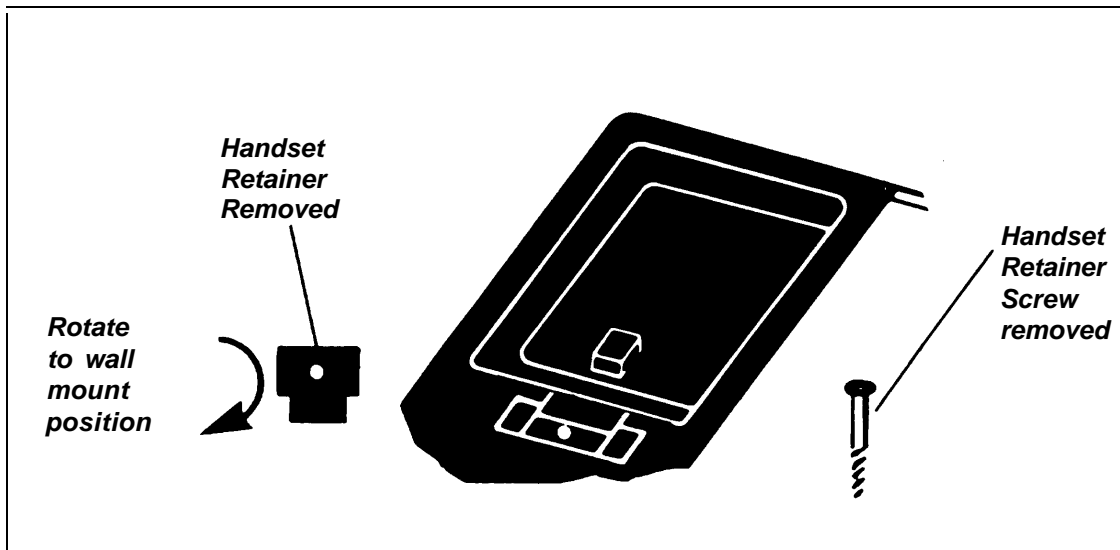


FIGURE 12 Rotating the Handset Retainer

- 4 Replace the handset retainer. When properly inserted, the handset retainer extends out from the handset cradle (Figure 13).

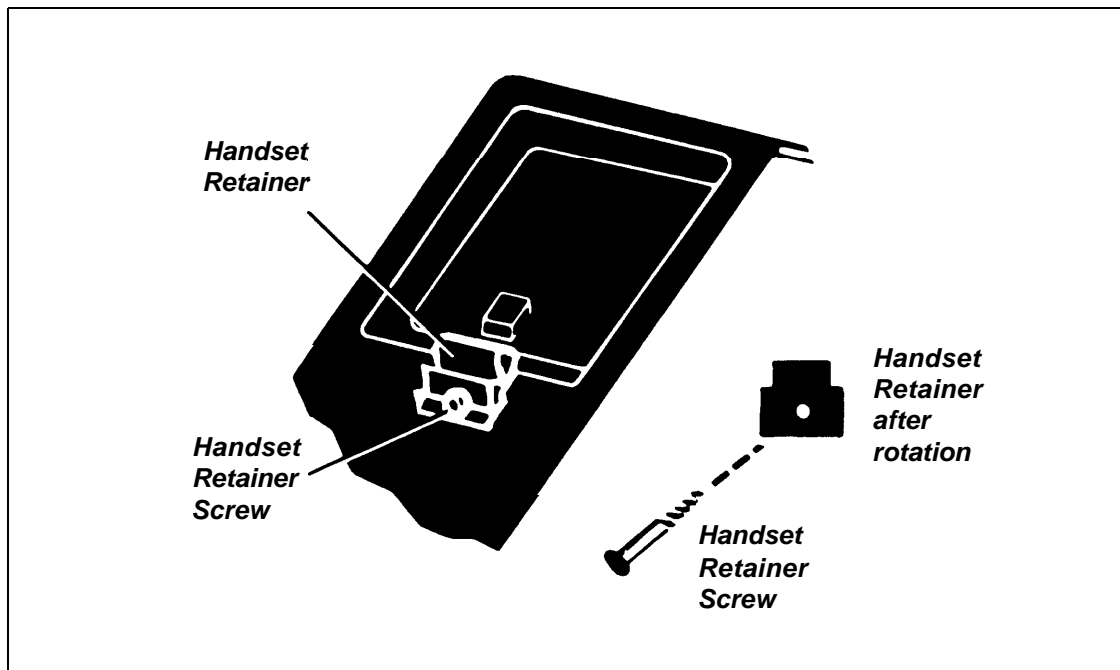


FIGURE 13 Handset Retainer in Wall Mount Position

- 5 Replace the screw, the number card, and the number card retainer.
- 6 Plug one end of a modular voice terminal cord into the jack labeled Line on the bottom of the voice terminal.
- 7 Plug one end of the handset cord into the jack in the lower right corner on the bottom of the voice terminal.

- 8 If the other end of the handset cord is attached to the handset, unplug it now.
- 9 Position the voice terminal so that its tabs fit just above the mounting slots on the wall mount (Figure 14).

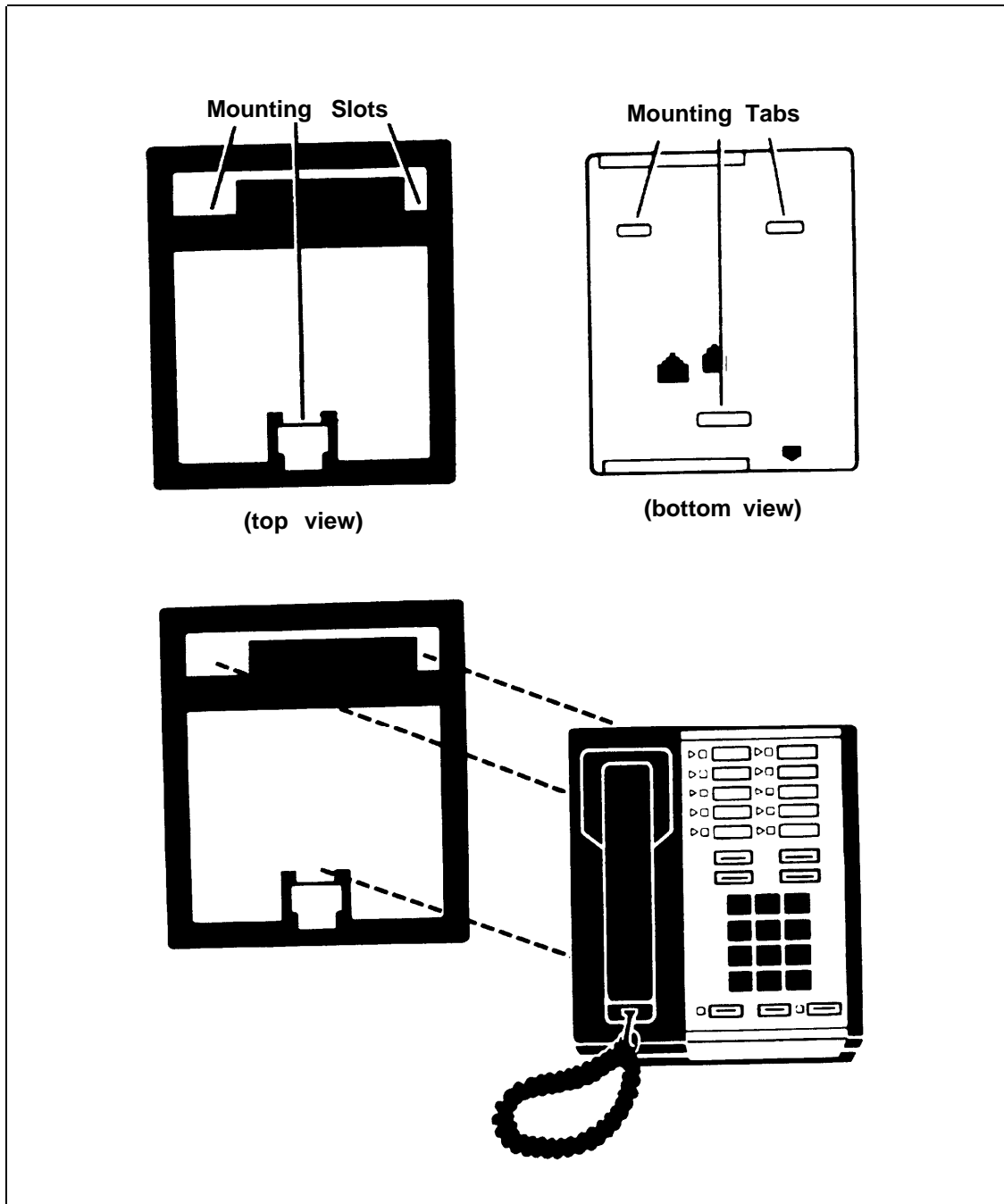


FIGURE 14 Attaching the Wall Mount to the Voice Terminal

- 10 Gently slide the voice terminal down so the mounting tabs fit securely in the three mounting slots (Figure 14).

- 11 Plug the other end of the handset cord into the handset and place the handset in the cradle.
- 12 Plug the other end of the modular voice terminal cord into the jack connection (Figure 6) which is one of the following:
 - a modular voice terminal extension cord or a modular voice terminal jack.
 - a voice terminal jack in the control unit.
- 13 To remove the voice terminal from the wall mount, unplug the handset cord from the handset and set the handset aside. Slide the voice terminal up and away from the wall mount.

Testing Your Voice Terminal

After installing the voice terminal, use the test/program (T/P) switch (Figure 15) on the left side of the voice terminal to test the lights and ringing.

- 1 Slide the T/P switch away from you to the *T* position. *The red and green lights flash and the voice terminal rings.* If this does not happen, refer to the Troubleshooting Tables in your system's installation guide. If you still have a problem after troubleshooting your system, contact your equipment supplier.
- 2 Slide the T/P switch back to the center position.

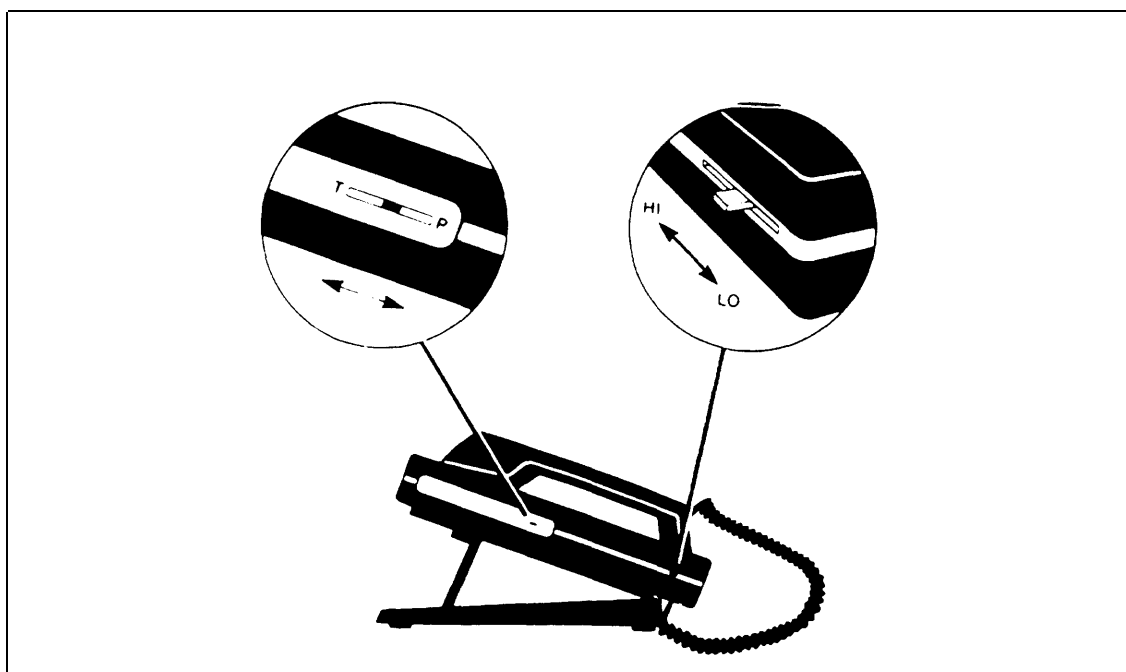


FIGURE 15 T/P Switch and Volume Control

Setting the Volume

The volume control switch is also located on the left side of the voice terminal (Figure 15) and adjusts the volume of the ringing and button clicks.

- Slide the switch away from you to increase the volume.
- Slide the switch toward you to decrease the volume.

Voice Terminal Button Labels

Removing Labels

Grasp the silver tab above the touch-sensitive buttons and pull the label strip out of the label slot (Figure 16).

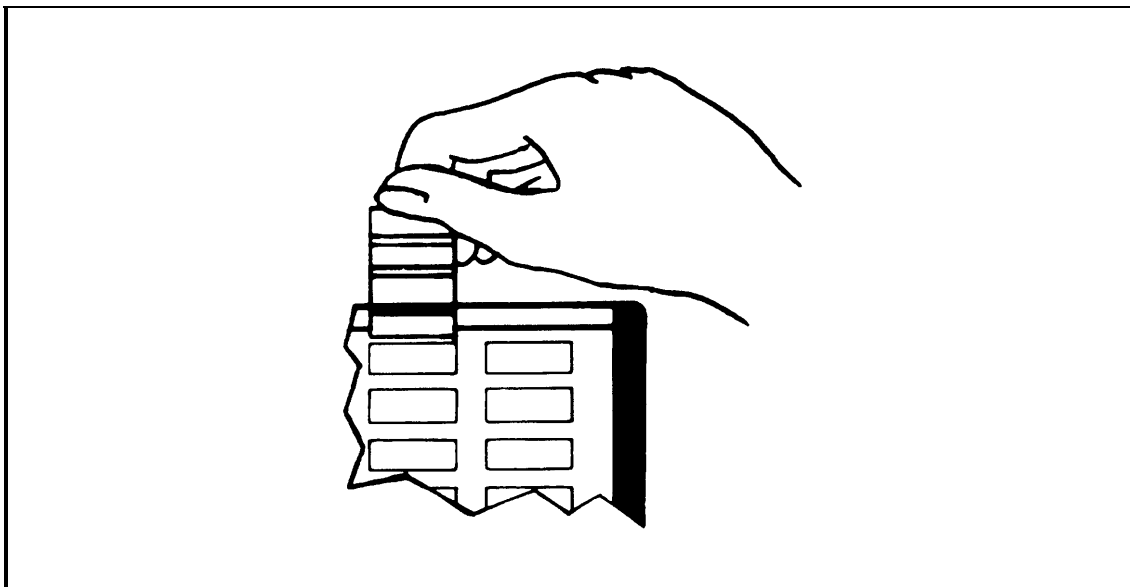


FIGURE 16 Removing and Inserting Button Labels

Inserting Labels

- 1 Insert the bottom of the label strip into the label slot above the column of touch-sensitive buttons (Figure 16).
- 2 Slide the label all the way into the slot until the appropriate label is over the proper button.

Ordering Labels

To order more label strips, call the AT&T National Sales Parts Center's toll-free number 1-800-222-PART. The part's order number (comcode) is 844030809. The labels come in packages of 25 and are also used for the 34-Button Voice Terminal.

Handsets for the Hearing Impaired and Noisy Locations

All voice terminals come with a handset that is hearing-aid compatible. Two other types of handsets are also available:

- The (R6C3) Impaired-Hearing Handset (31753) has an extra amplifier to provide greater volume in the earpiece. A thumbwheel volume control on the handset allows the volume to be turned up or down, as needed.
- The (R8C3) Push-to-Listen Handset (31754) is for use in noisy locations. Like the Impaired-Hearing Handset, the Push-to-Listen Handset has an extra amplifier and a thumbwheel volume control. It also has a pushbutton on the handset that increases the volume in the earpiece and mutes background noise transmitted through the mouthpiece.