

**Lucent Technologies**  
Bell Labs Innovations



**CIB 2852**  
5-Button Voice Terminal

CIB 2852  
Comcode 103-979-894  
Issue 4

# CIB 2852

## 5-Button Voice Terminal

The 5-button voice terminal (Figure 1) allows access to intercom and outside lines as well as to programmable and other button features that may be provided in your communications system.

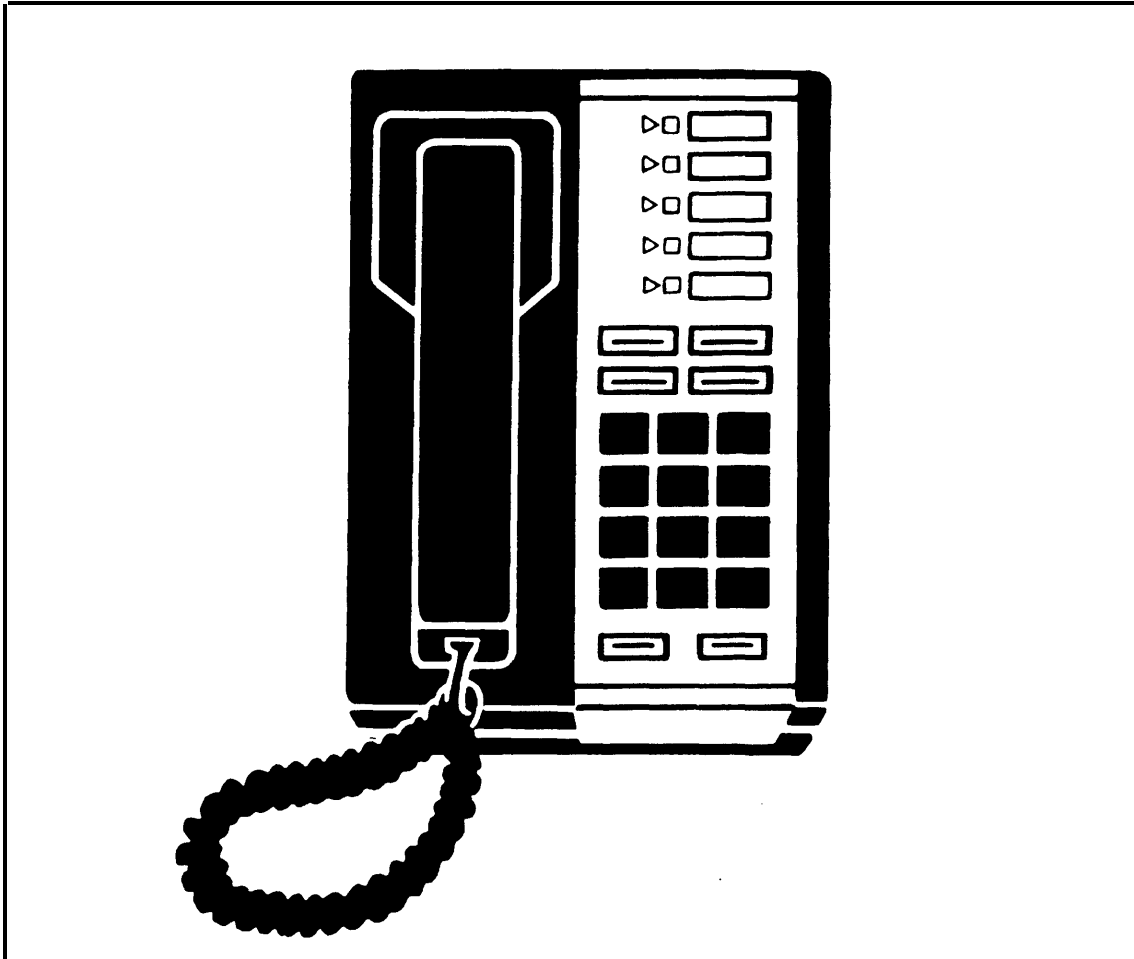


FIGURE 1 5-Button Voice Terminal

## Assembling Your Voice Terminal

- 1 Unpack your voice terminal, which has the following components:
  - voice terminal body
  - handset (with handset cord attached)
  - modular voice terminal cord
  - plastic desk stand/wall mount with rubber feet attached.

The pieces of the desk stand/wall mount come attached to a disposable runner (Figure 2). The names *BASE*, *DESK SUPPORT*, and *WALL SUPPORT* are imprinted on the appropriate plastic parts and separate instructions are given below for each application.

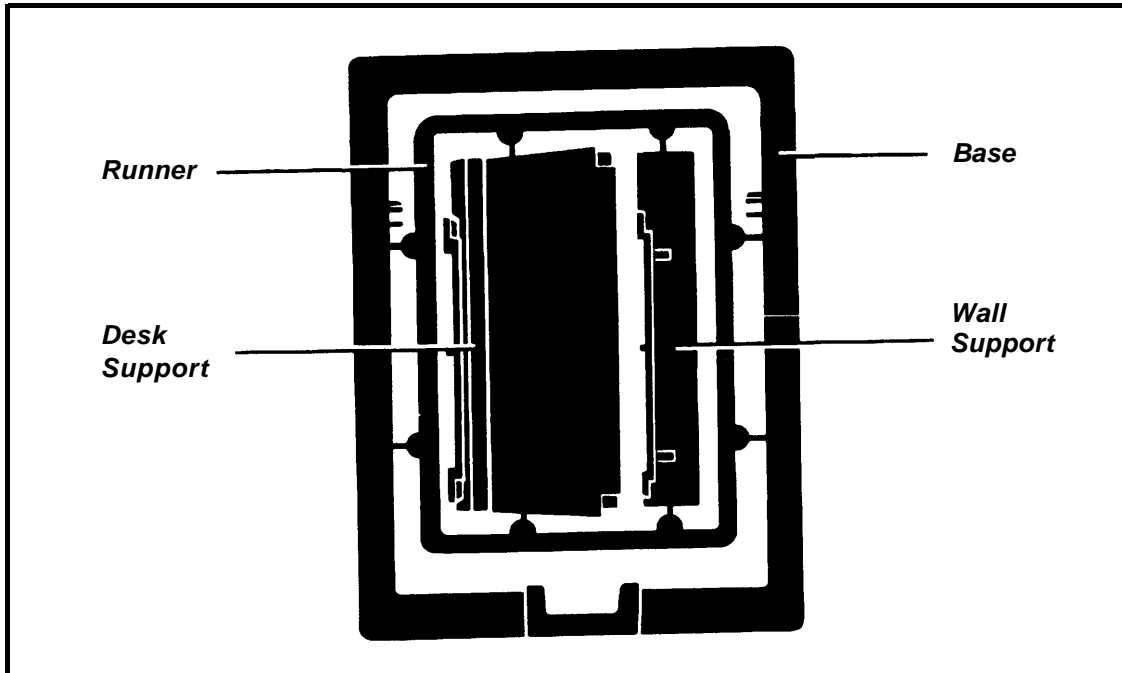
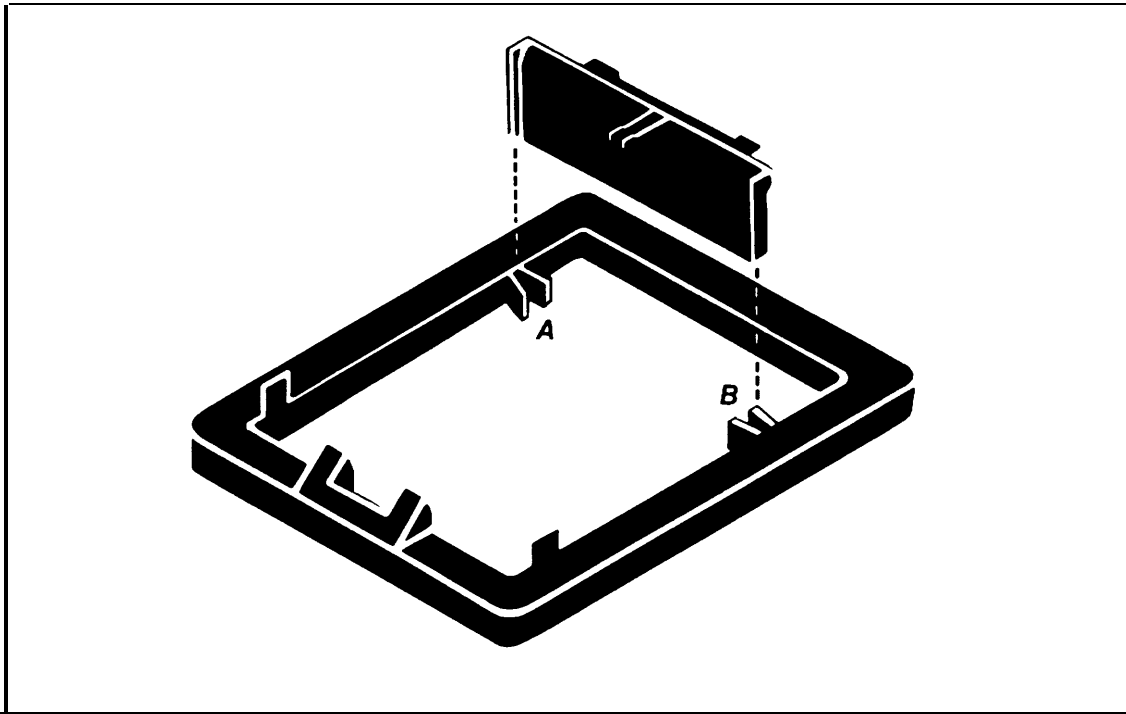


FIGURE 2 Unassembled Desk Stand/Wall Mount

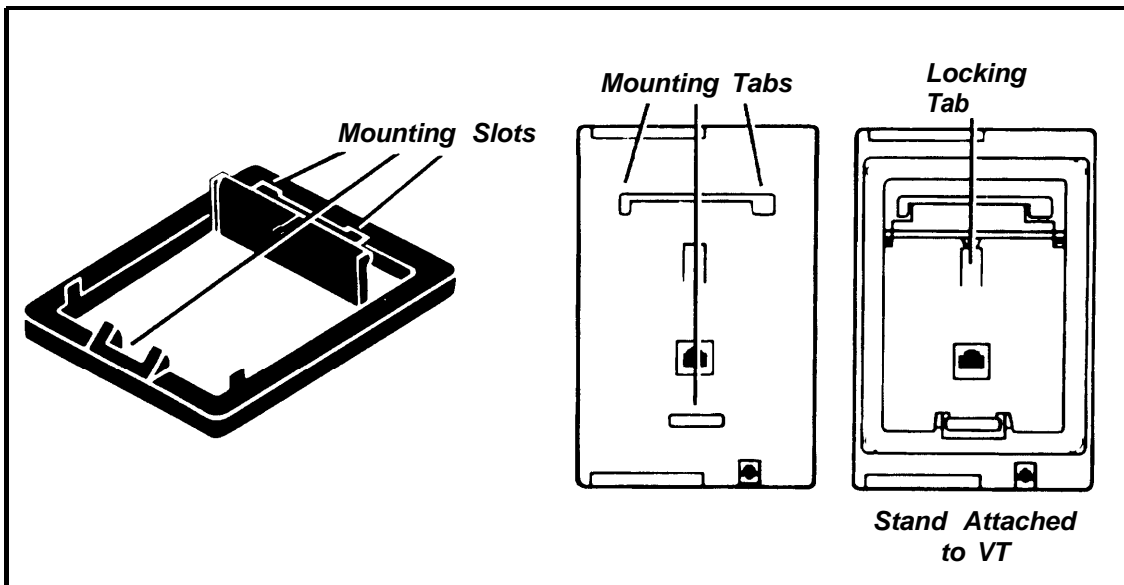
### Desk Stand Installation

- 1 Break the pieces away from the runner.
- 2 Locate the pieces labeled *BASE* and *DESK SUPPORT*. File the rough edges off these pieces where they were attached to the runner.
- 3 Insert the tabs labeled "A" and "B" on the desk support into the slots labeled "A" and "B" on the base (Figure 3).



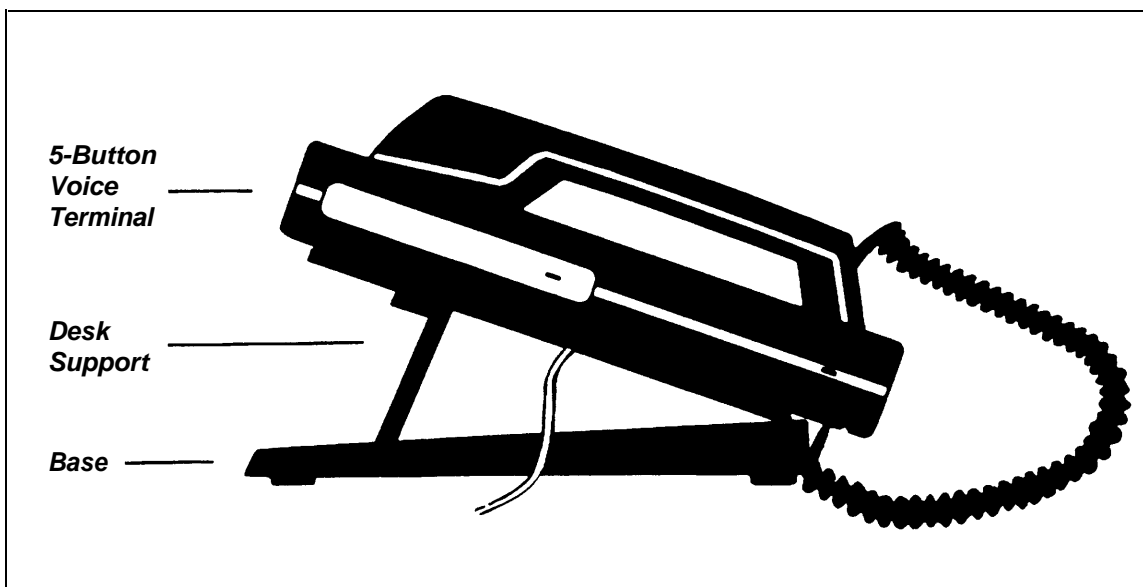
**FIGURE 3** Assembling the Desk Stand

- 4 Turn the voice terminal upside down.
- 5 Position the stand on the voice terminal so that the stand's mounting slots fit just below the mounting tabs of the voice terminal (Figure 4).



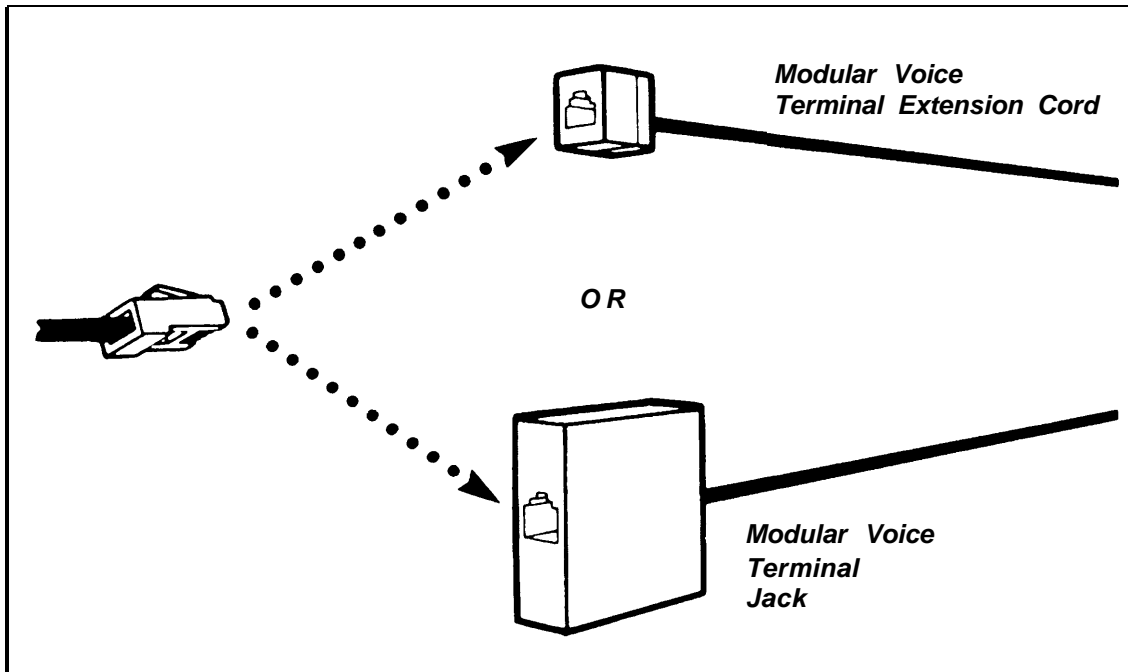
**FIGURE 4** 5-Button Voice Terminal Attached to the Desk Stand (Bottom View)

- 6 Gently slide the stand upward so that the voice terminal tabs fit securely in the three mounting slots on the stand. Press down on the stand to secure the locking tab.
- 7 Thread one end of a (D8W) modular voice terminal cord between the base of the desk stand and the bottom of the voice terminal and plug it into the jack labeled *LINE* on the bottom of the voice terminal.
- 8 Check to see that one end of the handset cord is attached to the handset. If it is not, plug one end into the handset now.
- 9 Plug the other end of the handset cord into the jack on the lower right of the voice terminal.
- 10 Turn the voice terminal right side up and place the handset in the cradle (Figure 5).



**FIGURE 5** 5-Button Voice Terminal Attached to the Desk Stand

- 11 Plug the other end of the modular voice terminal cord into the building wiring connection, which may be a modular voice terminal extension cord or a modular voice terminal jack (Figure 6).

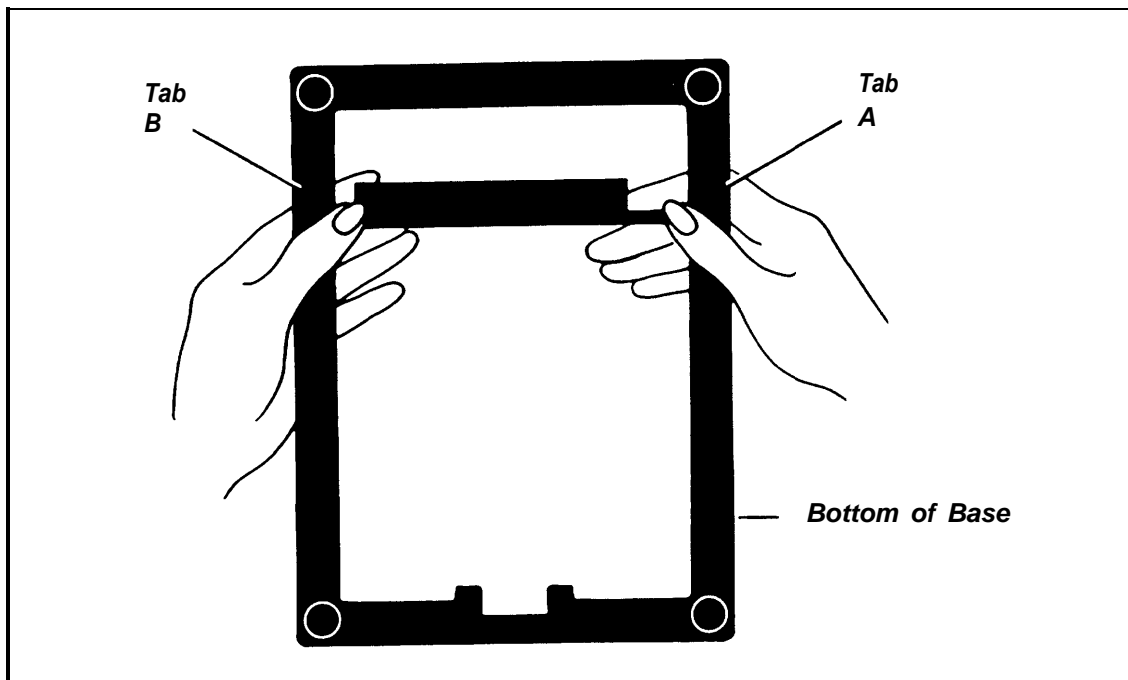


**FIGURE 6 Attaching the Voice Terminal Cord to Building Wiring**

- 12 To remove the voice terminal from the desk stand, unplug the handset cord. Set the handset aside and turn the voice terminal over. Unplug the modular voice terminal cord. Press the locking tab to release it and slide the stand down and away from the voice terminal.

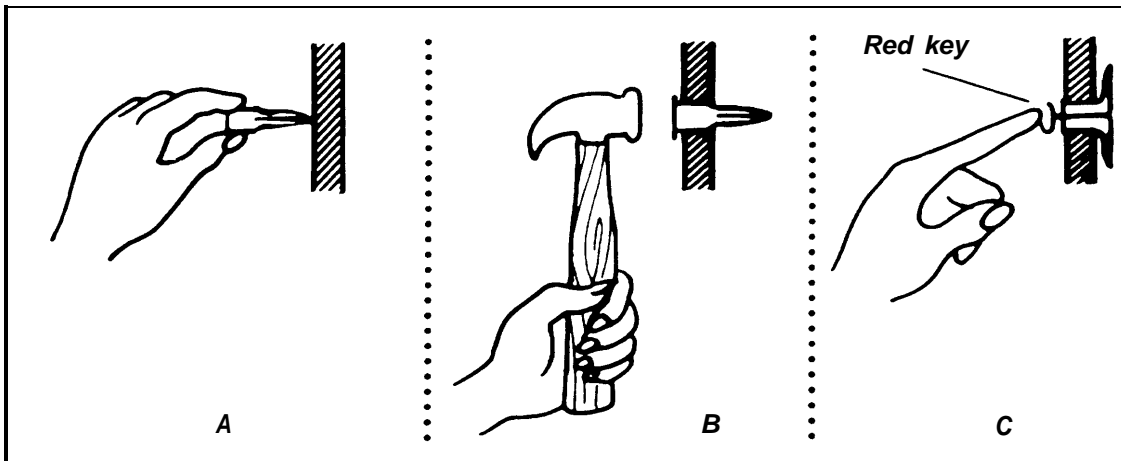
### **Wall Mount Installation**

- 1 Break the pieces away from the runner.
- 2 Locate the pieces labeled *BASE* and *WALL SUPPORT*. File the rough edges off these pieces where they were attached to the runner. Use the tip of a screwdriver to remove the four rubber feet in the corners of the bottom of the base.
- 3 Place the base upside down on a table or desk and insert the tabs labeled "A" and "B" on the wall support into the slots labeled "A" and "B" on the base (Figure 7).



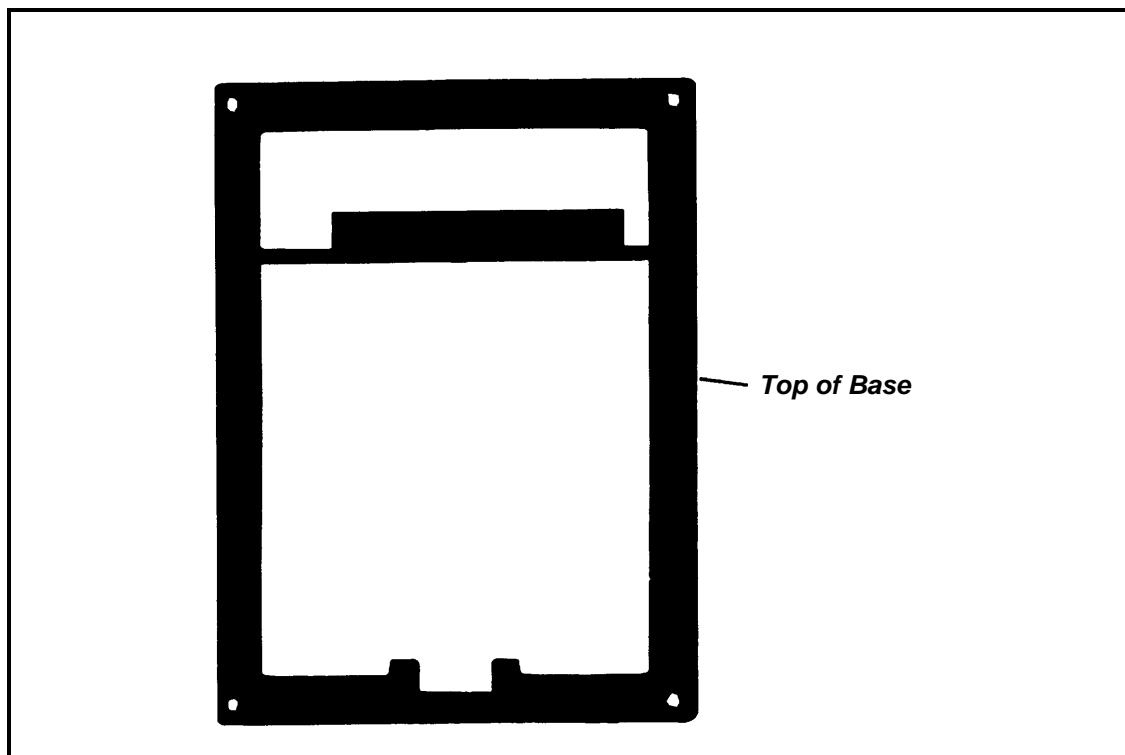
**FIGURE 7** Assembling the Wall Mount

- 4 Lift the base and push the wall support through the slots until it fits firmly into place. Turn the base over.
- 5 Select a location for installation at least as large as the voice terminal. Use the base as a template to mark the four mounting screw locations.
- 6 Select the proper toggles for wall thickness:
  - For walls 3/8" to 1/2" thick, use the smaller of the two sizes of toggles.
  - For walls 5/8" to 3/4" thick, use the larger of the two sizes.
  - For solid walls, either of the two sizes may be used.
- 7 Using a 5/16" drill bit, drill a hole at each of the four mounting screw locations.
- 8 Fold and insert a toggle into each of the mounting screw locations (Figure 8A). Tap each toggle with a hammer so that it is flush with the wall (Figure 8B).
- 9 Pop the anchor open with the red key *without* using a hammer on the key (Figure 8C).



**FIGURE 8** Installing Toggles for Wall Mount

- 10 Using a small drill bit, enlarge the four mounting screw holes in the base.
- 11 Insert the top two screws into the base and partially thread the screws into the toggles.
- 12 Insert the two remaining screws into the lower mounting holes and tighten all four screws (Figure 9).



**FIGURE 9** Wall Mount Attached to Wall



## Converting a Voice Terminal for Wall-Mounting

- 1 Remove the number card retainer with a straightened paper clip or similar device and remove the number card (Figure 10).

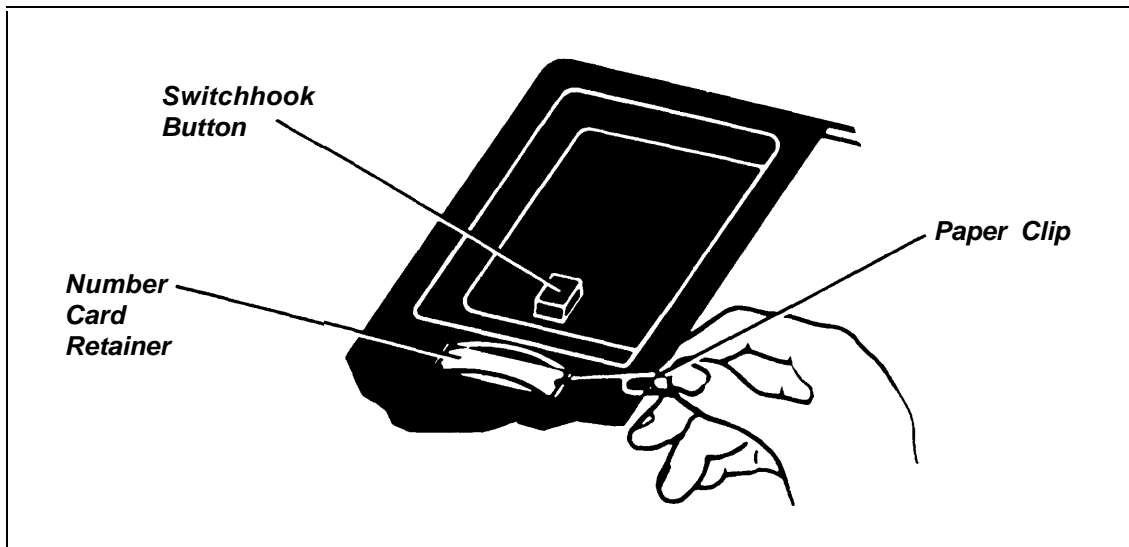


FIGURE 10 Removing the Number Card and Retainer

- 2 Remove the screw under the number card and lift out the handset retainer from the upper housing (Figure 11).

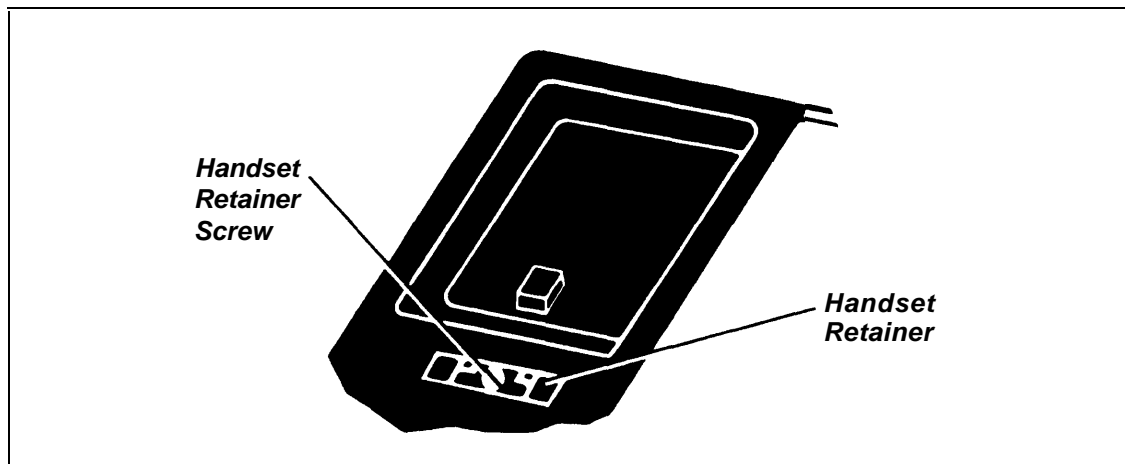
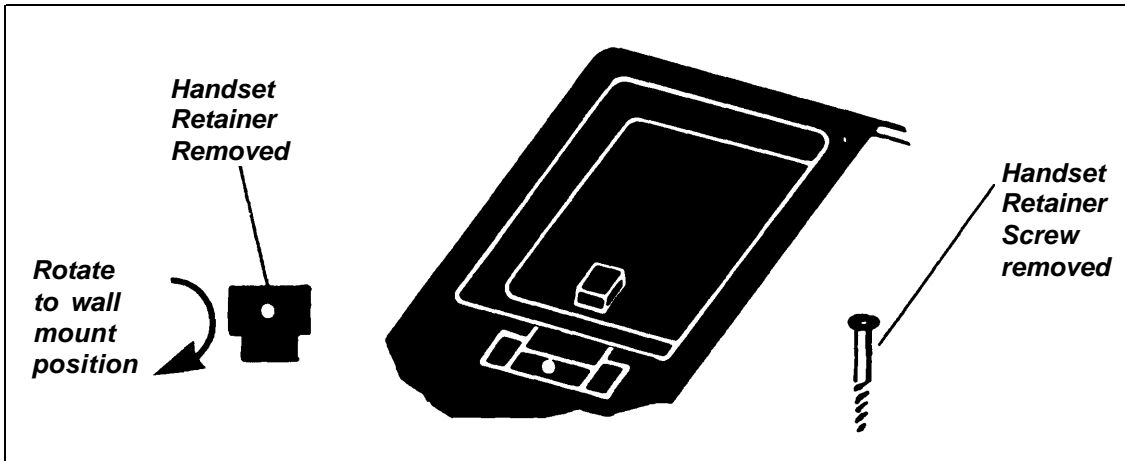


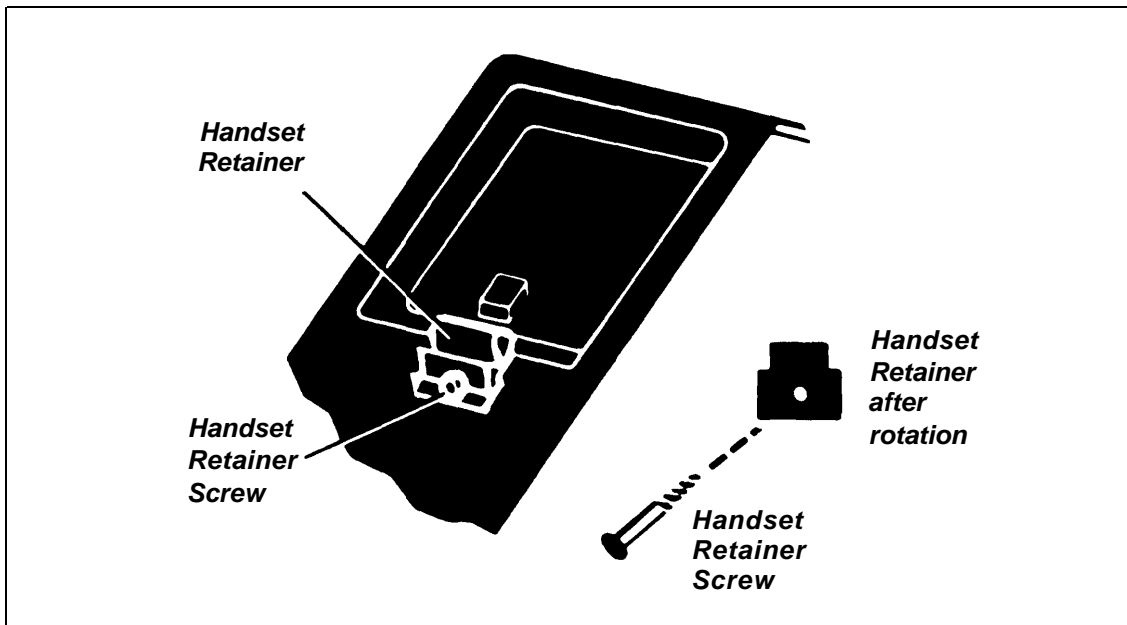
FIGURE 11 Handset Retainer and Screw

- 3 Rotate the handset retainer 180 degrees end-over-end (Figure 12).



**FIGURE 12** Rotating the Handset Retainer

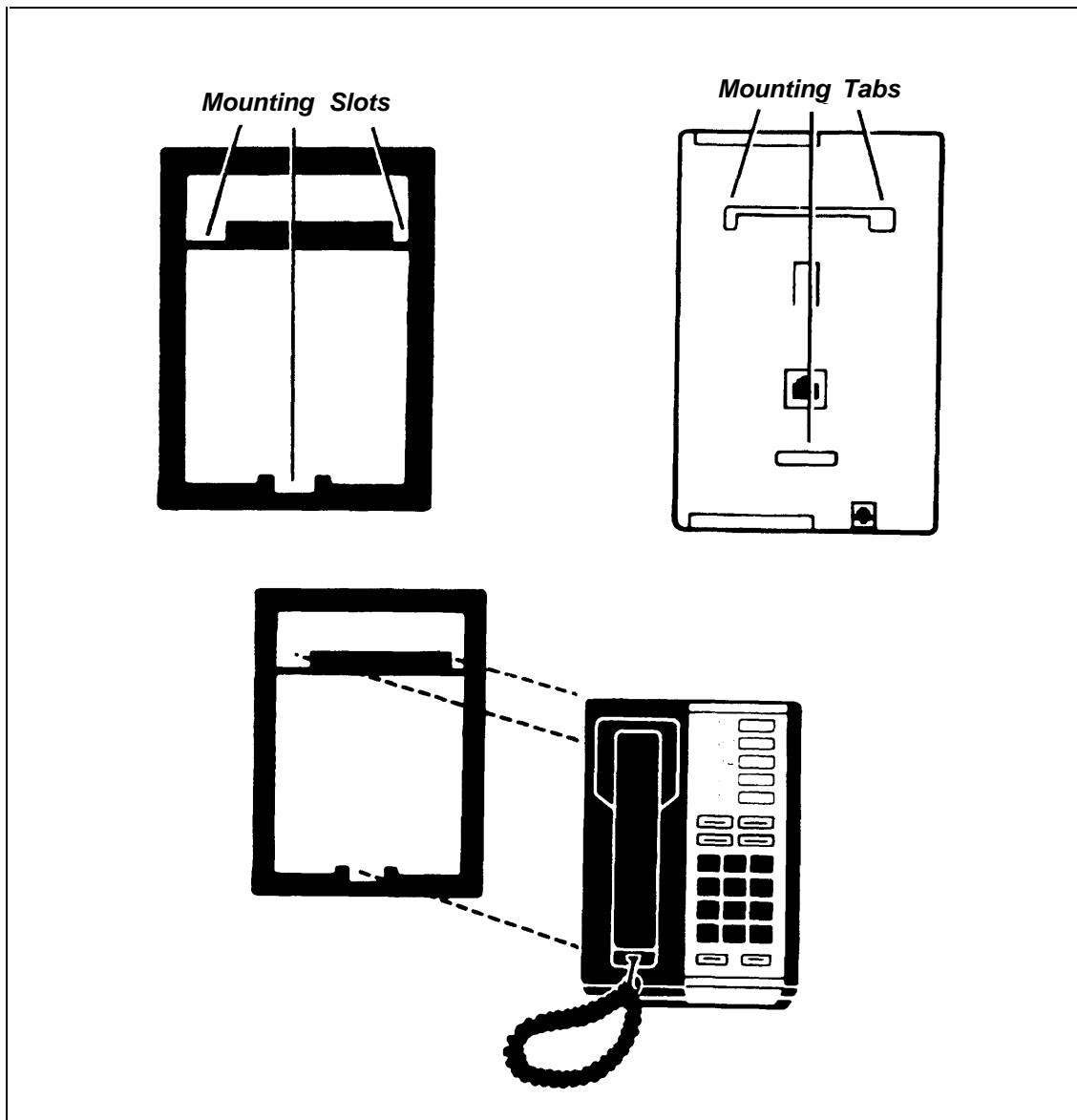
- 4 Replace the handset retainer into the upper housing. If properly inserted, the handset retainer should project into the handset well of the upper housing (Figure 13).



**FIGURE 13** Handset Retainer in Wall Mount Position

- 5 Replace the screw, the number card, and the number card retainer.
- 6 Plug the (D8W) modular voice terminal cord into the jack labeled *LINE* on the bottom of the voice terminal.
- 7 Check to see that one end of the handset cord is attached to the handset. If it is not, plug one end into the handset now.
- 8 Plug the other end of the handset cord into the jack on the lower right of the voice terminal.

- 9 Position the voice terminal so that its mounting tabs fit just above the mounting slots on the wall mount.
- 10 Gently slide the voice terminal down so the mounting tabs fit securely in the three mounting slots (Figure 14).



**FIGURE 14** Attaching the Voice Terminal to the Wall Mount

- 11 Plug the other end of the modular voice terminal cord into the building wiring connection, which may be a modular voice terminal jack or a modular voice terminal extension cord. (See Figure 6.)
- 12 To remove the voice terminal from the wall mount, unplug the handset cord. Set the handset aside and slide the voice terminal up and away from the wall mount.

## Testing Your Voice Terminal

Use the test/program (T/P) switch on the left side of the voice terminal to test the lights and ringer. After connecting the voice terminal, slide the T/P switch away from you to the *T* position (Figure 15). If the voice terminal is working properly, the red and green lights will flash and the set will ring. If this does not happen, refer to the “TROUBLESHOOTING TABLES” in your system’s *Installation Guide*. If the problem is not resolved after troubleshooting your system, contact your equipment supplier.

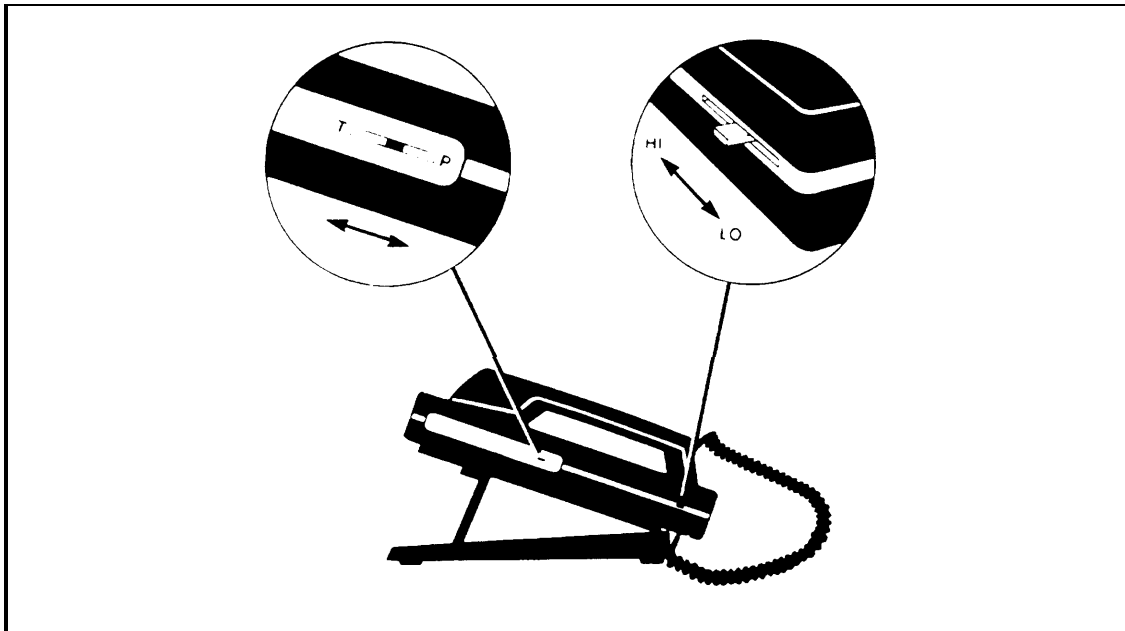


FIGURE 15 T/P Switch and Volume Control

## Setting the Volume

The volume control switch is also located on the left side of the voice terminal (Figure 15) and changes the volume of the alerting rings, speaker, and button clicks.

- Slide the switch away from you to increase the volume.
- Slide the switch towards you to decrease the volume.

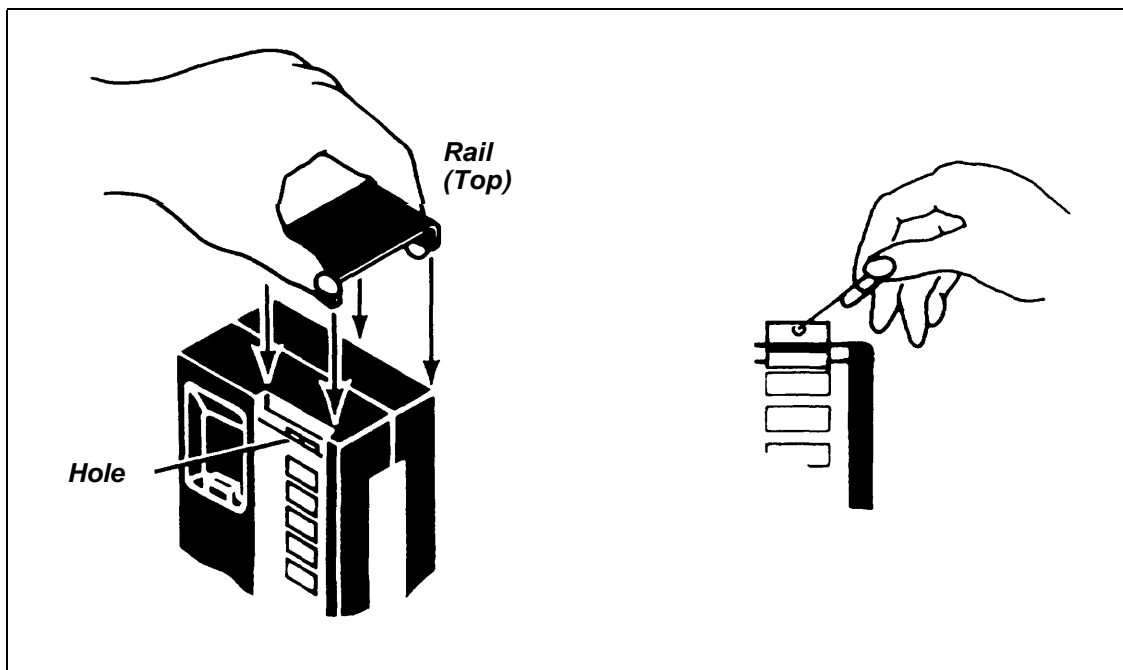
# Removing and Inserting Labels

## REMOVING

- 1 Press the back of the voice terminal rail and pull the rail up (Figure 16).
- 2 Insert the tip of a paper clip or similar instrument into the hole at the top of the label strip. Pull the labels out of the voice terminal.

## INSERTING

- 1 Press the back of the voice terminal rail and pull the rail up (Figure 16).
- 2 Insert the bottom of the label into the label slot above the column of touch-sensitive buttons (Figure 16).
- 3 Slide the label all the way into the slot until the appropriate label is over the proper button.
- 4 Snap the voice terminal rail back into place.



**FIGURE 16** Removing and Inserting Button Labels

To order more label strips, call the toll-free number for the National Parts Sales Center: 1-800-222-PART. The part number (Comcode) is 844-033-809. These labels come in single sheets with three label strips for the 5-button voice terminal and a voice terminal number card.

## **Handsets for the Hearing Impaired and Noisy Locations**

All voice terminals come with a handset that is hearing-aid compatible. Two other types of handsets are also available:

- The (R6C3) impaired-hearing handset (31753) has an extra amplifier to provide greater volume in the earpiece. A thumbwheel volume on the handset allows the volume to be turned up or down, as needed.
- The (R8C3) push-to-listen handset (31754) is for use in noisy locations. Like the impaired-hearing handset, the push-to-listen handset has an extra amplifier and a thumbwheel volume control. It also has a pushbutton on the handset that increases the volume in the earpiece and mutes background noise transmitted through the mouthpiece.