



Nortel CallPilot

202i Server Hardware Installation

Document status: Standard
Document version: 01.01
Document date: 21 January 2009

Copyright © 2009, Nortel Networks
All Rights Reserved.

Sourced in Canada

The information in this document is subject to change without notice. The statements, configurations, technical data, and recommendations in this document are believed to be accurate and reliable, but are presented without express or implied warranty. Users must take full responsibility for their applications of any products specified in this document. The information in this document is proprietary to Nortel Networks.

The process of transmitting data and call messaging between the CallPilot server and the switch or system is proprietary to Nortel Networks. Any other use of the data and the transmission process is a violation of the user license unless specifically authorized in writing by Nortel Networks prior to such use. Violations of the license by alternative usage of any portion of this process or the related hardware constitutes grounds for an immediate termination of the license and Nortel Networks reserves the right to seek all allowable remedies for such breach.

Trademarks

*Nortel, the Nortel logo, the Globemark, and Unified Networks, BNR, CallPilot, DMS, DMS-100, DMS-250, DMS-MTX, DMS-SCP, DPN, Dualmode, Helmsman, IVR, MAP, Meridian, Meridian 1, Meridian Link, Meridian Mail, Norstar, SL-1, SL-100, Communication Server 1000, Supernode, Contact Center, Telesis, and Unity are trademarks of Nortel Networks.

3COM is a trademark of 3Com Corporation.

ADOBE is a trademark of Adobe Systems Incorporated.

ATLAS is a trademark of Quantum Corporation.

BLACKBERRY is a trademark of Research in Motion Limited.

CRYSTAL REPORTS is a trademark of Seagate Software Inc.

EUDORA and QUALCOMM are trademarks of Qualcomm, Inc.

ETRUST and INOCULATEIT are trademarks of Computer Associates Think Inc.

DIRECTX, EXCHANGE.NET, FRONTPAGE, INTERNET EXPLORER, LINKEXCHANGE, MICROSOFT, MICROSOFT EXCHANGE SERVER, MS-DOS, NETMEETING, OUTLOOK, POWERPOINT, VISUAL STUDIO, WINDOWS, WINDOWS MEDIA, WINDOWS NT, and WINDOWS SERVER are trademarks of Microsoft Corporation.

GROUPWISE and NOVELL are trademarks of Novell Inc.

INTEL is a trademark of Intel Corporation.

LOGITECH is a trademark of Logitech, Inc.

MACAFEE and NETSHIELD are trademarks of McAfee Associates, Inc.

MYLEX is a trademark of Mylex Corporation.

NETSCAPE COMMUNICATOR is a trademark of Netscape Communications Corporation.

NOTES is a trademark of Lotus Development Corporation.

NORTON ANTIVIRUS and PCANYWHERE are trademarks of Symantec Corporation.

QUICKTIME is a trademark of Apple Computer, Inc.

RADISYS is a trademark of Radisys Corporation.

ROLM is a trademark of Siemens ROLM Communications Inc.

SLR4, SLR5, SLR75, and TANDBERG are trademarks of Tandberg Data ASA.

SONY is a trademark of Sony Corporation.

SYBASE is a trademark of Sybase, Inc.

TEAC is a trademark of TEAC Corporation.

US ROBOTICS, the US ROBOTICS logo, and SPORTSTER are trademarks of US Robotics.

WINZIP is a trademark of Nico Mark Computing, Inc.

XEON is a trademark of Intel, Inc.

All other trademarks and registered trademarks are the property of their respective owners.

Information for Japan

Japan VCCI Statement

The following applies to server models 1005r, 703t, 201i, 202i, and 1002rp:

この装置は、情報処理装置等電波障害自主規制協議会 (VCCI) の規定に基づくクラス A 装置です。この装置を家庭環境で使用すると電波妨害を引き起こすことがあります。この場合には使用者が適切な対策を取るよう to 要求されることがあります。

This is a Class A product based on the standard of the Voluntary Control Council for Interference by Information Technology Equipment (VCCI). If this equipment is used in a domestic environment, radio disturbance may occur, in which case, the user may be required to take corrective action.

Publication History

January 2009

CallPilot 5.0, Standard 01.01 of the *CallPilot 202i Server Hardware Installation* guide is issued for general release.

Contents

Chapter 1 How to get help	9
Chapter 2 About the 202i server	11
202i server description	11
Reference Documents	11
Network connectivity	16
Peripheral connectivity	18
Chapter 3 Preparing for installation	23
Installation overview	23
Unpacking and inspecting the 202i server	26
Switch and network requirements	27
Chapter 4 Installing the 202i server in a large Meridian 1 system	29
Overview	29
Installing the 202i server in the large Meridian 1 switch	29
Chapter 5 Installing the 202i server in an Option 11C or Option 11C Mini Expansion	31
Installing the 202i server in the Option 11C or Option 11C Mini Expansion switch	31
Chapter 6 Installing the 202i server in the Communication Server 1000 Expansion switch	35
Communication Server 1000 Expansion description	35
Installing the 202i server in the Communication Server 1000 Expansion switch	39
Chapter 7 Connecting peripheral devices to the 202i server	43
Overview	43
Installing the monitor, keyboard, and mouse	46
Connecting the DVD/CD-ROM, tape drive, and backup device	46
Connecting the N0169520 DVD/CD-ROM	47
Connecting the tape drive	48
Connecting the 202i server to the switch, ELAN subnet, and Nortel server subnet	50
Connecting the modem	51
Completing the installation	53

Chapter 8 Regulatory compliance	55
Index	56

Chapter 1

How to get help

This section explains how to get help for Nortel products and services.

Getting help from the Nortel Web site

The best way to get technical support for Nortel products is from the Nortel Technical Support Web site:

<http://www.nortel.com/support>

This site provides quick access to software, documentation, bulletins, and tools to address issues with Nortel products. More specifically, the site enables you to:

- download software, documentation, and product bulletins
- search the Technical Support Web site and the Nortel Knowledge Base for answers to technical issues
- sign up for automatic notification of new software and documentation for Nortel equipment
- open and manage technical support cases

Getting help over the phone from a Nortel Solutions Center

If you don't find the information you require on the Nortel Technical Support Web site, and have a Nortel support contract, you can also get help over the phone from a Nortel Solutions Center.

In North America, call 1-800-4NORTEL (1-800-466-7835).

Outside North America, go to the following Web site to obtain the phone number for your region:

<http://www.nortel.com/callus>

Getting help from a specialist by using an Express Routing Code

To access some Nortel Technical Solutions Centers, you can use an Express Routing Code (ERC) to quickly route your call to a specialist in your Nortel product or service. To locate the ERC for your product or service, go to:

<http://www.nortel.com/erc>

Getting help through a Nortel distributor or reseller

If you purchased a service contract for your Nortel product from a distributor or authorized reseller, contact the technical support staff for that distributor or reseller.

Chapter 2

About the 202i server

In this chapter

"202i server description" (page 11)

"Network connectivity" (page 16)

"Peripheral connectivity" (page 18)

202i server description

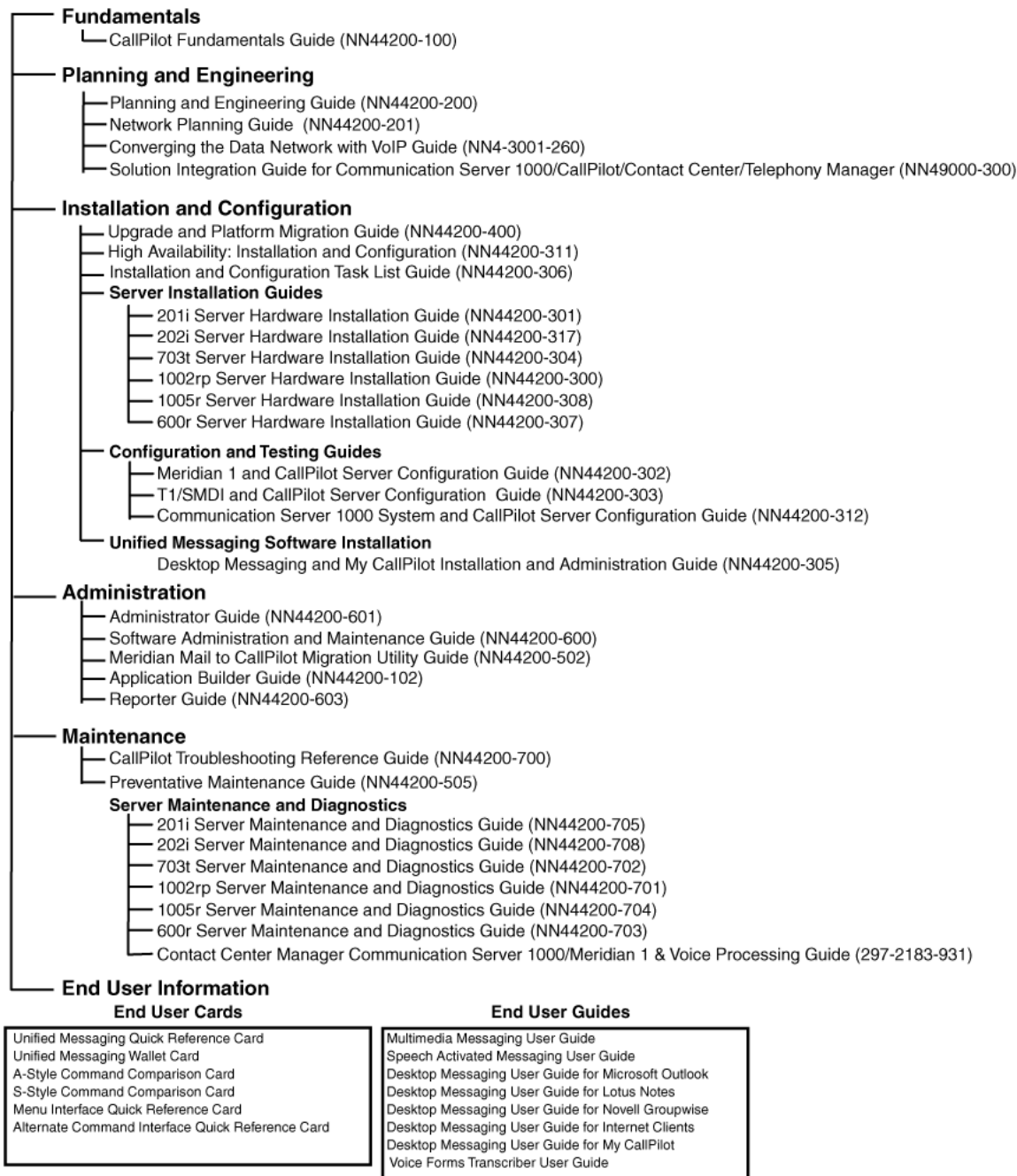
The 202i server is a flexible multimedia telephony server that integrates with Nortel Meridian 1 and Communication Server 1000 products.

The 202i server occupies two slots of a Meridian 1 shelf or Communication Server 1000 Media Gateway Expansion. When the server is locked in position, the connectors attach to the backplane, which provides power and communications links.

Reference Documents

For a list of all CallPilot documents, see the following Customer Documentation Map.

CallPilot Customer Documentation Map



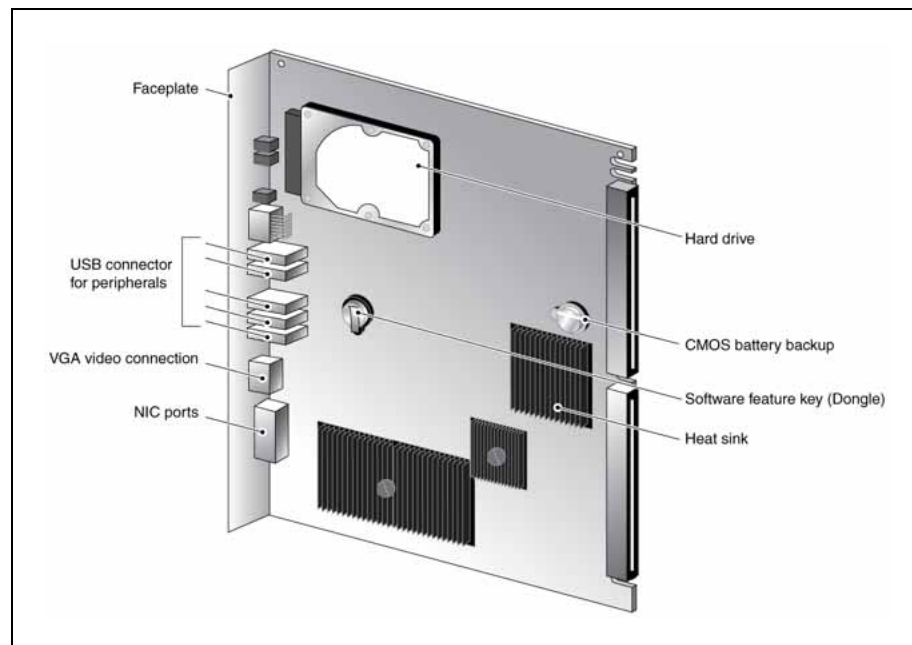
Primary components

The 202i server motherboard houses the interfaces necessary for the following activities:

- to communicate with the Meridian 1 switch or Communication Server 1000 Expansion switch
- to facilitate data communications on Ethernet networks

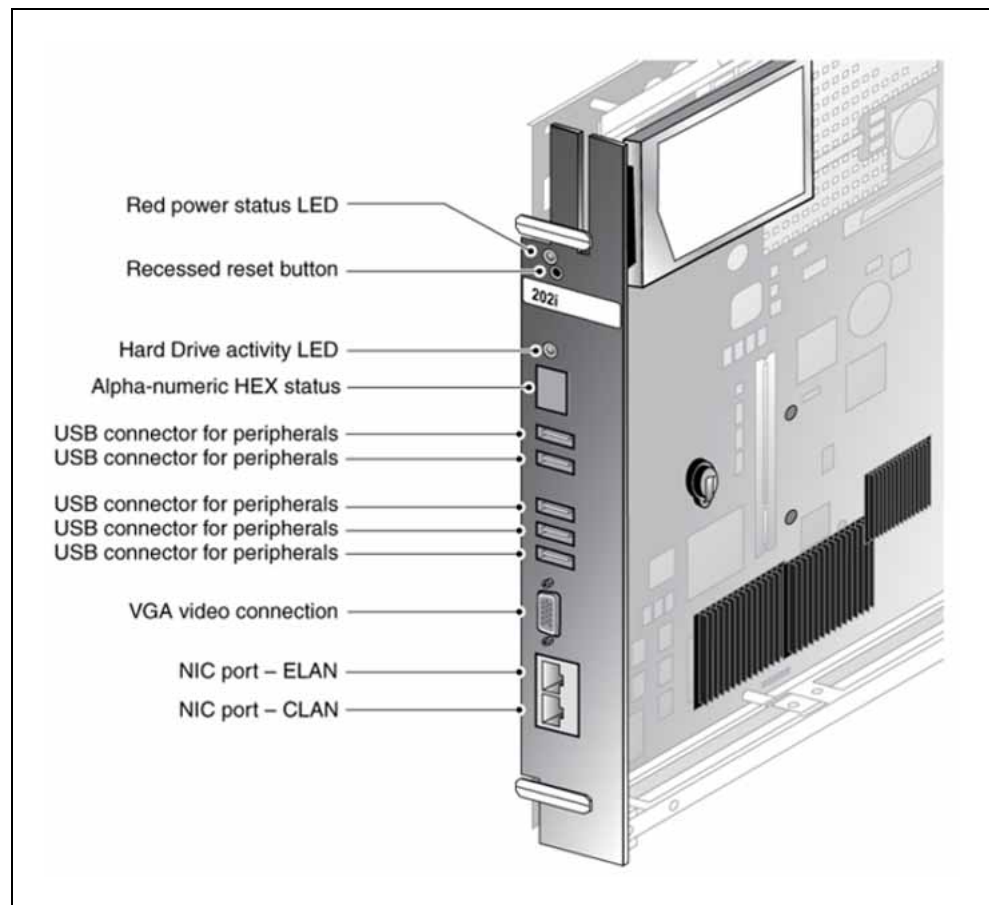
Two Ethernet controllers on the 202i server motherboard provide Ethernet capability. These controllers provide the network interfaces for both the ELAN subnet and the CLAN Nortel server subnet.

The following diagram shows the 202i server components.



Faceplate

The following diagram shows the 202i server faceplate. The faceplate provides LEDs and connectors for peripheral devices.



The following table describes each faceplate feature.

Faceplate feature	Description
Latches	Latches at the top and bottom of the faceplate secure the server to the backplane of the Meridian 1 switch or to the backplane of the Communication Server 1000 Media Gateway Expansion.
Red power status LED	<p>The red power status LED indicates two server states:</p> <ul style="list-style-type: none"> • the completion of self-test diagnostics • when it is safe to remove the server from the Meridian 1 switch or Communication Server 1000 Media Gateway Expansion
Hard drive activity LED	Indicates hard disk read or write activity

Faceplate feature	Description
Reset button	Use the recessed reset button to manually restart the 202i server when the operating system is up without disconnecting the server from the backplane.
<p>ATTENTION</p> <p>The reset button is active only when the operating system is operational. Press the reset button only when you can not shutdown the operating system normally. Once the 202i server has shutdown through the Windows Shutdown command, the reset button becomes inactive and there is no impact if it is pressed as it is awaiting shelf removal. Once removed from the shelf, the reset button regains its described functionality.</p>	
Alphanumeric Hexadecimal (HEX) display	The four-digit LED-based display provides feedback about the current status of the server, including fault conditions.
USB ports	Five USB 2.0 ports (maximum 500mA for each port).
VGA video connection	This connector provides standard DB15 video connection.
NIC port - ELAN (10/100Base-T (RJ-45)) connector	<p>This connector provides an Ethernet connection between the 202i server and the Meridian 1 switch or Communication Server 1000. This connection allows the exchange of call control information between the server and the Meridian 1 switch or Communication Server 1000 system.</p> <p>For more information about the ELAN subnet, see the <i>CallPilot Installation and Configuration Task List</i>.</p>
NIC port - CLAN (10/100Base-T (RJ-45)) connector	<p>This connector provides a network connection for</p> <ul style="list-style-type: none"> • user desktop computers to enable use of the unified messaging and fax messaging features • LAN-based server administration
NIC ports with built-in status LED	The upper LED network connector represents network traffic. The lower LED network connection, if illuminated, represents 100 Mb connection. No illumination indicates 10 Mb or no active connection.

Environmental specifications

The following table details the 202i environmental specifications.

Temperatures

Recommended temperature	15°C (59°F) to 30°C (86°F)
Absolute temperature	10°C (50°F) to 45°C (113°F)
Long-term storage temperature	–20°C (–4°F) to 60°C (140°F)
Short-term storage temperature	–40°C (–40°F) to 70°C (158°F) (less than 72 hours)
Change rate temperature	Less than 1°C (34°F) every 3 minutes

Relative humidity

Recommended relative humidity (RH)	20% to 55% RH (noncondensing)
Absolute RH	20% to 80% RH (noncondensing)
Long-term storage RH	5% to 95% RH [at –40°C (–40°F) to 70°C (158°F) respectively] (noncondensing)

Network connectivity

This section shows how CallPilot and the Meridian 1 or Communication Server 1000 Expansion switch integrate into your network. It also describes the network requirements for correct CallPilot operation.

ATTENTION

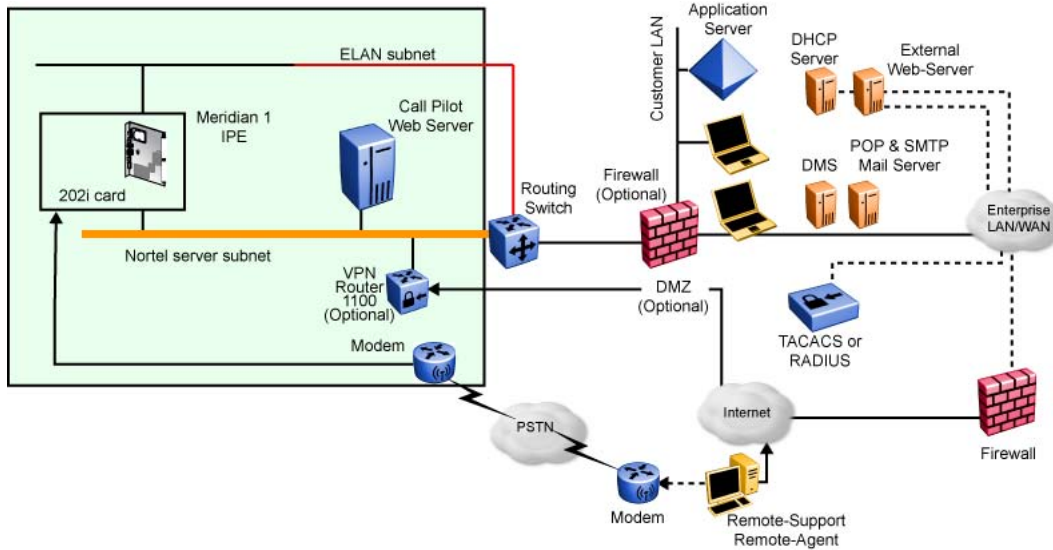
To secure the CallPilot server from unauthorized access, ensure that the CallPilot network is inside your organization firewall.

Specific ports must be open when working behind a firewall. See the *Converging the Data Network with VoIP Fundamentals Guide*.

Sample network setup: Meridian 1 switch

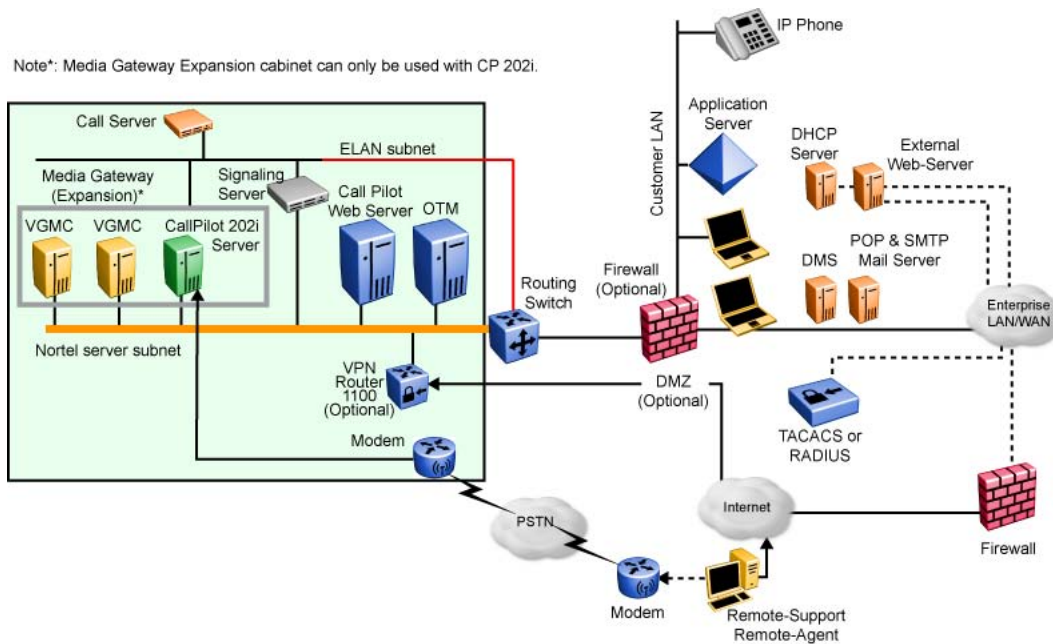
The following diagram shows how the 202i server integrates into your network with the following Meridian 1 switches:

- large systems, such as Option 61C/81C
- Option 11C
- Option 11C Mini Expansion



Sample network setup: Communication Server 1000 Expansion

The following diagram shows an example of how the 202i server can integrate with the Communication Server 1000 Expansion switch in your network.



In the illustration "Sample network setup: Communication Server 1000" (page 17), the telephony LAN (TLAN) provides IP connectivity between the Communication Server 1000 Expansion switch and the i2004 Internet

telephones. The connection between the Call Server and Media Gateway Expansion can be point-to-point, or it can be through the LAN, if the system is installed in a distributed data network.

For more information about the Communication Server 1000 Expansion switch and i2004 Internet telephone bandwidth and network requirements, see the *Communication Server 1000 Planning and Installation Guide*.

For a description of each Communication Server 1000 Expansion switch component, see "[Communication Server 1000 description](#)" (page 35).

CallPilot Nortel server subnet and ELAN subnet setup

The 202i server supports the following network protocols:

- CLAN: 10/100Base-T Ethernet

A built-in Ethernet controller on the 202i server motherboard provides Ethernet connectivity to the Nortel server subnet. The Nortel server subnet provides data connectivity between desktop and Web messaging clients, administrative PCs, and the CallPilot server.

- ELAN: 10/100Base-T Ethernet

A built-in Ethernet controller on the 202i server motherboard provides Ethernet connectivity to the ELAN subnet. The ELAN subnet carries call processing traffic between the CallPilot server and the Meridian 1 switch or Communication Server 1000 Expansion. A standard Ethernet cable connects the 202i server to the ELAN subnet and the Nortel server subnet.

Note: For more information about the ELAN subnet, see the *CallPilot Installation and Configuration Task List*.

Network requirements

Appropriate networking equipment must be available for both the Nortel server subnet and ELAN subnet.

You must properly configure the Nortel server subnet and ELAN subnet for correct CallPilot operation. To ensure correct configuration, Nortel recommends that you consult a network specialist.

ATTENTION

For important considerations about using the ELAN subnet in your network, see the *CallPilot Installation and Configuration Task List*.

Peripheral connectivity

Peripheral equipment is attached to the 202i server on the server faceplate.

Faceplate connections

ATTENTION

Connections made to the faceplate (except as noted in the following paragraph) are temporary, because you must remove the cabinet cover to make these connections. The system does not meet specifications for radiated EMI if you remove the cabinet cover.

Peripheral faceplate connections (excluding network connections) are considered temporary and for short term maintenance purposes only. Due to regulatory restrictions, the CallPilot is limited to two full-time USB connected peripherals with the switch cabinet door closed

The following peripheral devices can connect to the 202i server faceplate:

- monitor
- keyboard
- mouse
- modem
- DVD/CD-ROM drive
- tape drive

Monitor, keyboard, mouse, modem, DVD/CD-ROM, and tape drive

You must connect a monitor, keyboard, mouse, DVD/CD-ROM, and tape drive to run the Configuration Wizard or to install the operating system on the 202i server as part of a recovery process.

In general all USB devices are hot-pluggable but it is recommended you follow the power-up and setup sequences provided to minimize risk.

Supported peripheral devices

The following are the supported peripheral devices.

DVD/CD-ROM drive (N0169520)

Use an external DVD/CD-ROM drive to install and upgrade the server. The drive connects to a USB port on the faceplate of the 202i.

Tape drive (Tandberg SLR75)

Use an external SCSI tape drive to back up and restore data. The device connects to a USB connector on the faceplate.

Note: To use the legacy parallel SCSI tape drive requires the USB to SCSI adapter available in new SLR75 external tape drive kits from Nortel or through a FRU. Consult your local Nortel sales representative or CallPilot catalog for further information.

Tandberg tape drive backward compatibility

	SLR60/75	SLR50	SLR32	MLR1	SLR5
Manufacturer	Tandberg	Tandberg	Tandberg	Tandberg	Tandberg
Nortel Products	703, 1002 rp-internal, 1005r, 600r-external	1002rp, 1001rp, 702t	1001rp, 702t	1001rp, 702t	201i, 200i
Tape Media Type	SLRtape60	SLR50 (MLR3)	SLR32 (MLR 132GHB)	MLR1-26GB	SLR5
Native Capacity (GB)	30	25	16	13	4
Max Native Sustained Transfer Rate (KB/s)	4000	2000	1500	1500	380
SLR60	RW				
SLR50	RW	RW			
SLR32	R	RW	RW	RW	
MLR1-26GB	R	RW	RW	RW	
SLR5	R	RW	RW	RW	RW
TDC4220 (SLR4)	R	R	RW	RW	RW
Viper DC6250					RW (old F/W only)
Viper DC6150					
Flashback QIC-24					

	TDC4220	Viper	Viper	Flashback
Manufacturer	Tandberg	Archive/Conner	Archive/Conner	Northern Telecom
Nortel Products	Meridian Mail	Meridian Mail	Meridian Mail	Meridian Mail
Tape Media Type	DC9250 (Magnus 2.5, QIC-2GB)	DC6250	DC6150	DC300XL, DC60 0A (QIC-24)
Native Capacity (GB)	2.5	0.25	0.15	0.045 - .060
Max Native Sustained Transfer Rate (KB/s)	300	110	110	80
SLR60				
SLR50				
SLR32				

	TDC4220	Viper	Viper	Flashback
MLR1-26GB				
SLR5				
TDC4220 (SLR4)	RW			
Viper DC6250	RW	RW	RW	
Viper DC6150	RW	RW	RW	
Flashback QIC-24	R	R	R	RW

Modem

The 202i uses an external USB modem for remote access.

10/100Base-T Ethernet hub or switch

The 10/100Base-T Ethernet hub provides the ELAN subnet connection between the 202i server and the Meridian 1 switch or Communication Server 1000 switch.

Because the hub or switch is an external device, it requires an AC power source.

Monitor, keyboard, mouse, modem, DVD/CD-ROM, and tape drive

The following are supported.

- Monitor: standard DB15 video connection
- Keyboard: standard USB keyboard
- Mouse: standard USB mouse
- Modem: standard 56 KB USB modem
- DVD/CD-ROM: USB DVD/CD-ROM (N0169520)
- Tape drive: Tandberg SLR75 SCSI tape drive with SCSI/USB adapter

Note: Legacy Option11C cabinet PBXs with the flat door panels have 1" faceplate spacing between the card faceplate and cabinet door. To facilitate live full time USB peripheral connection on the wall mount Option11C you must use a short profile right angle 10" USB extension cable Nortel CPC N0171258. Other Nortel PBXs have greater spacing and do not require the mentioned cable.

Chapter 3

Preparing for installation

In this chapter

"Installation overview" (page 23)

"Unpacking and inspecting the 202i server" (page 26)

"Switch and network requirements" (page 27)

Installation overview

This section provides a high-level overview of the requirements and procedure to install the 202i server.

Before you begin

Ensure proper power and grounding are available for all the power outlets that serve the CallPilot server and the associated peripherals. Power for these devices must be wired and fused independently of all other receptacles and referenced to the same ground as the PBX system.

A qualified electrician must implement the single-point ground reference as required between the power outlets of the CallPilot server and the power outlets of the switch.

Provide a sufficient number of properly grounded power outlets or power bars for all equipment.

For more information, see Chapter 2, "Grounding and power requirements", in the *CallPilot Planning and Engineering Guide*.

Installation checklist

The following checklist identifies the steps required to install the 202i server and peripheral devices. For more details, see [Chapter 7 "Connecting peripheral devices to the 202i server" \(page 43\)](#).

**WARNING****Risk of personal injury and hardware failure**

The power outlets used by the CallPilot server and the peripheral devices must connect to the same ground reference as the Meridian 1 switch or Communication Server 1000 Expansion. Otherwise, power transients can cause personal injury and hardware failure.

Step	Description	Check
1	Review the "Installing CallPilot" section in the <i>CallPilot Installation and Configuration Task List</i> and complete stage 1 of the "Installation checklist."	<input type="checkbox"/>
	This includes the following tasks:	
	<ul style="list-style-type: none"> • Unpack the server, and ensure you have all the items you need (see "Unpacking and inspecting the 202i server" (page 26)). Complete the following checklists that are in the <i>CallPilot Installation and Configuration Task List</i>: <ul style="list-style-type: none"> — "CallPilot software media and documentation checklist" — "CallPilot server hardware checklist" • Inspect the server for damage that might have occurred during shipping (see "Unpacking and inspecting the 202i server" (page 26)). 	
2	Familiarize yourself with the " Switch and network requirements " (page 27) of this guide.	<input type="checkbox"/>
3	Seat the software feature key (dongle) securely in the socket. For instructions, see the Replacing the software feature key procedure in the <i>CallPilot 202i Server Maintenance and Diagnostics</i> guide.	<input type="checkbox"/>

Step	Description	Check
4	<p>Place the 202i server into two consecutive slots inside the switch without inserting it all the way (without connecting it to the PBX backplane). For instructions, see the following sections:</p> <ul style="list-style-type: none">• large Meridian 1 systems, such as Option 61C/81C (see "Installing the 202i server in the large Meridian 1 switch" (page 29))• Option 11C or Option 11C Mini Expansion (see "Installing the 202i server in the Option 11C or Option 11C Mini switch" (page 31))• Communication Server 1000 Expansion (see "Installing the 202i server" (page 39))	<input type="checkbox"/>
5	<p>Connect the 202i server and devices as follows:</p> <ul style="list-style-type: none">• Connect the monitor, keyboard, and mouse to the 202i server faceplate (see "Installing the monitor, keyboard, and mouse" (page 46)).• Connect the DVD/CD-ROM and tape drive and backup device (see "Connecting the DVD/CD-ROM, tape drive, and backup device" (page 46)).• Connect the 202i server to the ELAN and CLAN Ethernet hubs or switches (see "Connecting the 202i server to the switch, ELAN subnet , and Nortel server subnet" (page 50)).• Connect the power cords for all devices, and then power them up.	<input type="checkbox"/>
6	<p>Install the 202i server as follows:</p> <ul style="list-style-type: none">• Close the lock latches on the 202i server.• Boot the 202i server to the operating system. <p>See "Completing the installation" (page 53).</p>	<input type="checkbox"/>
7	<p>Continue with the <i>CallPilot 1000 and CallPilot Server Configuration</i> guide instructions for your switch and server.</p>	<input type="checkbox"/>

Unpacking and inspecting the 202i server

This section describes how to

- unpack the 202i server and peripherals
- inspect the 202i server for damage

This section also describes what to do if you determine that the 202i server is faulty.

Unpacking the 202i server

Step	Action
<p>ATTENTION</p> <p>As you unpack each item, check it off against the packing list, as well as the following checklists in the <i>CallPilot Installation and Configuration Task List</i>:</p> <ul style="list-style-type: none"> • "CallPilot software media and documentation checklist" • "CallPilot server hardware checklist" 	
1	Remove the 202i server from the carton and the antistatic bag.
2	Place the 202i server on an antistatic surface.
3	Carefully open the cartons that contain the monitor, keyboard, mouse, modem, and ELAN hub (if supplied), and set the peripherals aside.
4	Place all manuals and DVD/CD-ROMs in a safe place.
5	Save all packing materials and cartons in case you must return any equipment to the carrier.
6	Review " 202i server description " (page 11), and perform a visual inspection as described in " To inspect the 202i server for shipping damage " (page 26).

—End—

Inspecting the 202i server for shipping damage

Before you proceed with the installation, visually inspect the 202i server for damage that might have occurred during shipping. Ensure also that the items in the following checklists are secure:

Item	Yes	No
Is the hard drive fully inserted into the connector and the screws are tightened? See items 6 and 7 in the diagram on page 15 .	<input type="checkbox"/>	<input type="checkbox"/>
Is the software feature key (dongle) securely seated in the socket?	<input type="checkbox"/>	<input type="checkbox"/>
See 202i server components diagram on page 15 .		
Is the memory module is fully seated in the socket?	<input type="checkbox"/>	<input type="checkbox"/>
Is the faceplate is properly secured to the 202i main board? Do not pick up the 202i by the faceplate, pick it up by the circuit board edges.	<input type="checkbox"/>	<input type="checkbox"/>

If components are missing or damaged

IF	THEN
You observe any damage	Contact your Nortel technical support representative.
Components are loose	Secure them. If necessary, see the procedures in the <i>CallPilot <server model> Server Maintenance and Diagnostics</i> guide for your server.
You are satisfied that the 202i server arrived at your site undamaged	You are ready to proceed with installation.

What is next?

Review the "[Switch and network requirements](#)" ([page 27](#)).

Switch and network requirements

The information in this section helps you plan your 202i server installation.

Meridian 1 or Communication Server 1000 Expansion slot requirements

The 202i server occupies two physical slots and one electrical slot.

You must install the 202i server in two peripheral equipment slots as follows.

Switch	Slots
Meridian 1 tiered systems	0 to 15
Option 11C	1 to 10 in any Option 11C cabinet
Option 11C Mini Expansion	A pair of consecutive slots in any cabinet
Communication Server 1000 Expansion	A pair of consecutive slots in any Media Gateway Expansion.

Nortel server subnet and ELAN subnet requirements

You must configure the ELAN subnet and the Nortel server subnet and the appropriate networking equipment must be available.

If the Nortel server subnet is to be part of the customer LAN, a network specialist must ensure proper configuration.

ATTENTION

For important considerations about using the ELAN in your network, see the *CallPilot Installation and Configuration Task List*.

What is next?

Install the 202i server in the Meridian 1 switch or Communication Server 1000 system. For instructions, see one of the following.

To install the 202i server in	See
A large Meridian 1 switch (for example, Option 61C/81C)	Chapter 4 "Installing the 202i server in a large Meridian 1 system" (page 29)
An Option 11C or Option 11C Mini Expansion switch	Chapter 5 "Installing the 202i server in an Option 11C or Option 11C Mini" (page 31)
The Communication Server 1000 Expansion switch	Chapter 6 "Installing the 202i server in the Communication Server 1000 system" (page 35)

Chapter 4

Installing the 202i server in a large Meridian 1 system

In this chapter

"Overview" (page 29)

"Installing the 202i server in the large Meridian 1 switch" (page 29)

Overview

This section describes how to install the 202i server in a Meridian 1 switch.

ATTENTION

To install the 202i server in an Option 11C, go to "Installing the 202i server in the large Meridian 1 switch" (page 29). For Communication Server 1000 Expansion, go to Chapter 6 "Installing the 202i server in the Communication Server 1000 system" (page 35).

What is next?

Continue with "Installing the 202i server in the large Meridian 1 switch" (page 29).

Installing the 202i server in the large Meridian 1 switch

The 202i server occupies two slots. You can install the 202i server or Communication Server 1000M in slots 0 through 15.

Positioning the 202i server on the switch shelf

Step	Action
1	Ensure on the back of the I/O panel there is no corresponding Main Distribution Frame (MDF) or ring and tip cable connected to the corresponding 202i target card slot. The 202i uses faceplate

cable connections only and no longer relies on the assistance of a peripheral I/O cable.

- 2 Open the lock latches at the top and bottom of the 202i server faceplate.
- 3 Slide the 202i server into an unoccupied pair of slots.

Ensure the 202i server is positioned correctly between the slots.

ATTENTION

Do not push the 202i server into place against the backplane until you are ready to observe the startup cycle.

The 202i server receives power and starts as soon as the 202i server makes contact with the switch backplane.

—End—

What is next?

Connect the modem, DVD/CD-ROM drive, tape drive, and backup device to the 202i server. For instructions, see [Chapter 7 "Connecting peripheral devices to the 202i server"](#) (page 43).

Chapter 5

Installing the 202i server in an Option 11C or Option 11C Mini Expansion

In this chapter

"Installing the 202i server in the Option 11C or Option 11C Mini switch"
(page 31)

Installing the 202i server in the Option 11C or Option 11C Mini Expansion switch

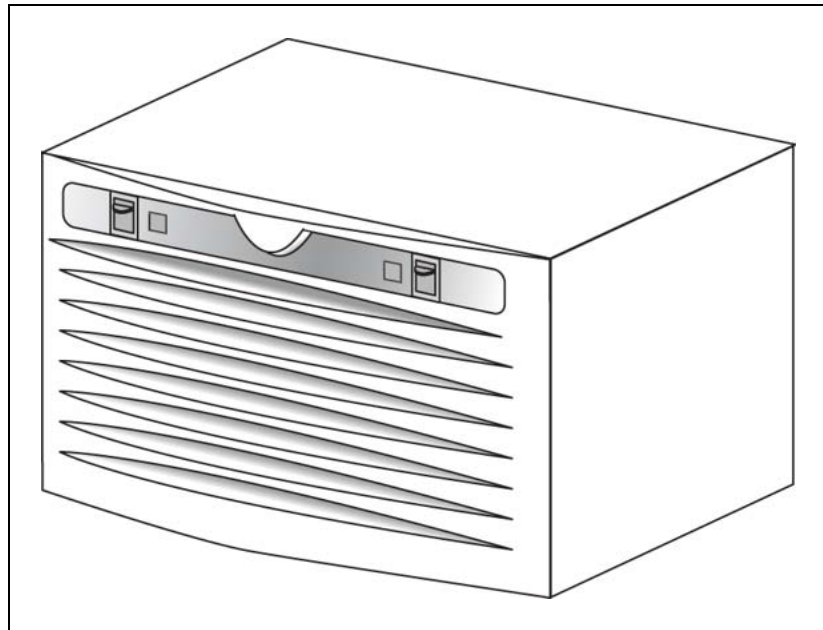
The 202i server occupies two physical and one electrical slot. You must install the 202i server in two peripheral equipment slots as follows:

Switch	Eligible slots
Option 11C	Slots 1 to 10 in any cabinet
Option 11C Mini Expansion	Two slots in the expansion cabinet

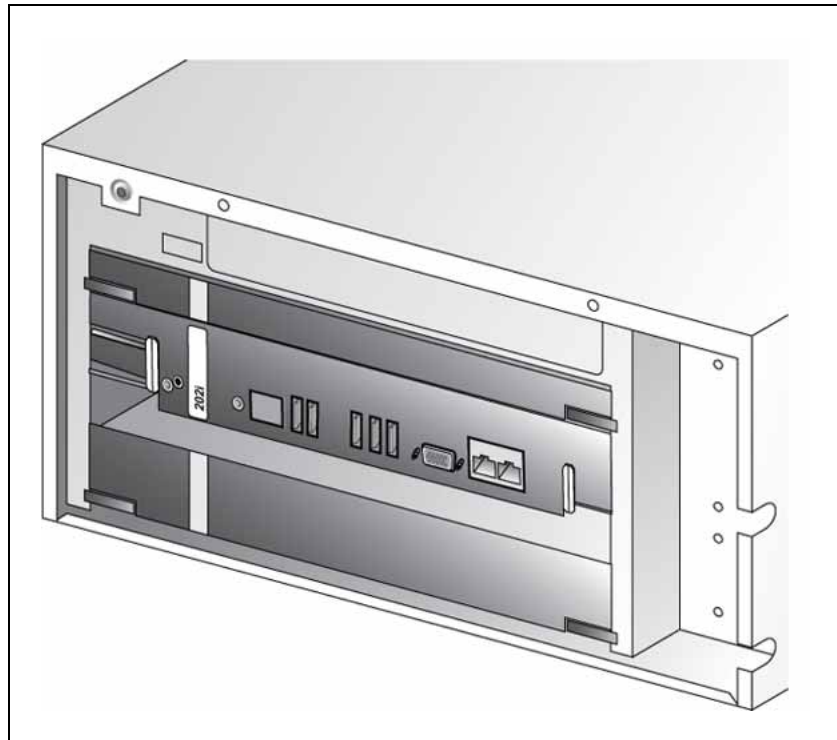
Positioning the 202i server in the switch shelf

Step	Action
------	--------

- | | |
|---|---|
| 1 | <p>Remove the front panel of the switch.</p> <p>Note: On the Option 11C Mini Expansion, perform the following steps:</p> <ol style="list-style-type: none"> Push down on the two levers on the switch cabinet door. Pull the cover away from the cabinet to remove it. |
|---|---|



- 2 Ensure no MDF cables are connected to the back of the slots in which you install the 202i server.
- 3 Open the lock latches at the top and bottom of the 202i server faceplate.
- 4 Slide the 202i server into an unoccupied pair of slots.
Ensure you correctly position the 202i server between the slots.



ATTENTION

Do not push the 202i server into place against the backplane until you are ready to observe the startup cycle.

The 202i server receives power and starts as soon as the 202i server makes contact with the switch backplane.

—End—

What is next?

Connect the modem, DVD/CD-ROM drive, tape drive and backup device to the 202i server. For instructions, see [Chapter 7 "Connecting peripheral devices to the 202i server"](#) (page 43).

Chapter 6

Installing the 202i server in the Communication Server 1000 Expansion switch

In this chapter

"Communication Server 1000 description" (page 35)

"Installing the 202i server in the Communication Server 1000 Expansion switch" (page 39)

Communication Server 1000 Expansion description

The Communication Server 1000 Expansion is an IP PBX that provides telephony and data capabilities over an IP network. The Communication Server 1000 consists of the following major components:

- Call Server
- Media Gateway

Call Server

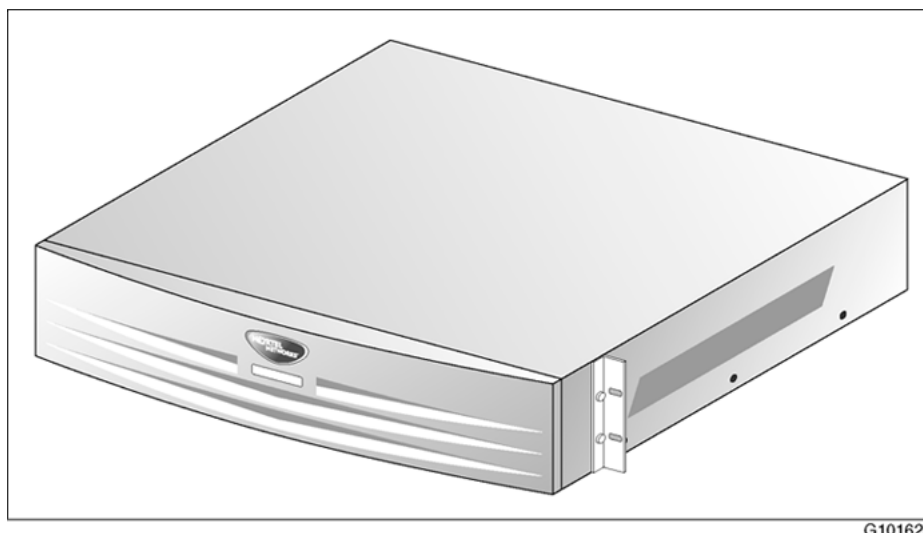
The Call Server provides telephony services and call processing. It supports up to four Media Gateway Expansions when the Small System Controller (SSC) card inside the unit contains two dual-port 100BaseT daughterboards.

The following connectors are on the back of the Call Server:

- four 100Base-T connectors to connect Media Gateway Expansions using one of the following:
 - for connections over the LAN customer-supplied standard 100Base-T CAT5 Ethernet cables
 - for point-to-point connections (Nortel-supplied crossover Ethernet cables)

- one 10/100Base-T Ethernet connector
 - provides the ELAN subnet interface to management software applications, such as Optivity Telephony Manager and CallPilot
 - accepts an industry-standard Medium Access Unit (MAU)
- one SDI connector that interfaces with three TTY ports using a three-port SDI cable
- one AC power cord connector and On/Off switch

The following diagram shows the Call Server.



Media Gateway Expansion

The Media Gateway Expansion provides the interface for analog or digital trunks, i2004 Internet telephones, analog telephones, and applications such as CallPilot.

A Media Gateway Expansion can connect to the Media Gateway to increase system capacity.

Card slots

The 202i server occupies physical and electrical slots. You must install the 202i server in a pair of consecutive slots in the Media Gateway Expansion.

The following table identifies the Media Gateway Expansion slots into which you can install the CallPilot 202i server.

Unit	The 202i server can be installed in	Ineligible slots
Media Gateway Expansion	Slots 7 and 8	
	Slots 8 and 9	
	Slots 9 and 10	

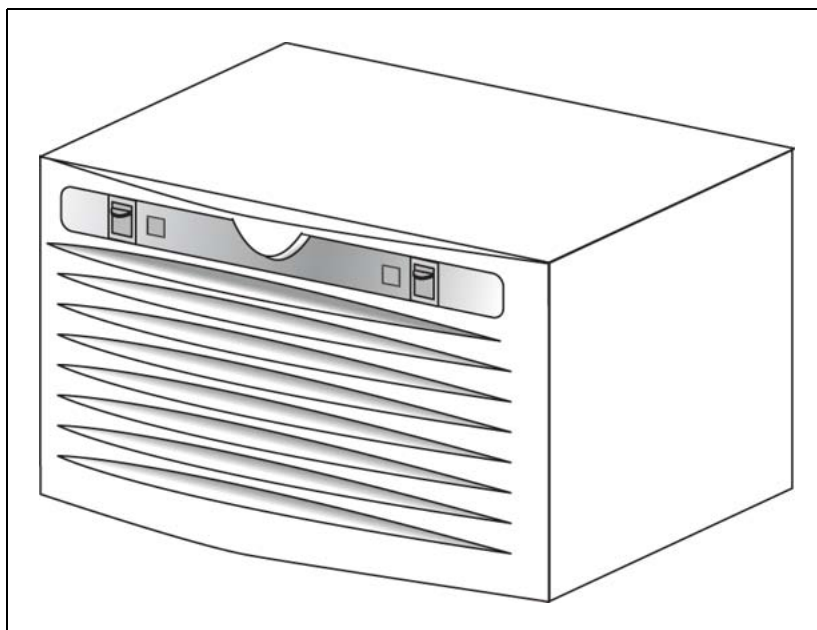
For more information about cards and slots, see the *Communication Server 1000 Planning and Installation Guide*.

Back panel connectors

The following table describes the connectors that are on the back of each Media Gateway and Media Gateway Expansion and how they relate to CallPilot:

Connector	Media Gateway	Media Gateway Expansion
Four 50-pin amphenol connectors that connect to the cross-connect terminal.	yes	yes
One auxiliary (AUX) connector	yes	no
One SDI connector	yes	no
One 10/100Base-T Ethernet connector	yes	no
<ul style="list-style-type: none"> provides the ELAN subnet interface to management software applications such as Optivity Telephony Manager and CallPilot accepts an industry-standard Medium Access Unit (MAU) 		
DS30X and CE-MUX connectors to connect the Media Gateway and Media Gateway Expansions	yes	yes
Power connector	yes	yes

The following diagram shows the Media Gateway.



Note: Except for the back panel connectors, the Media Gateway Expansion is similar in external appearance to the Media Gateway.

Communication Server 1000 Expansion software

For the 202i server, the Communication Server 1000 Expansion switch must run Communication Server Release 3.00 (or later) software.

The Media Gateway Expansion is centrally configured from the Call Server to provide a single point of management. Configuration required for correct CallPilot operation is, therefore, performed on the Call Server.

Administration software

The Communication Server 1000 Expansion switch interfaces with Optivity Telephony Manager Release 1.1 (or later). Optivity Telephony Manager is an integrated suite of system management tools. You can use Optivity Telephony Manager to configure, control, and manage your Communication Server 1000 Expansion. Optivity Telephony Manager operates on a platform that is compatible with a standard Windows PC.

For information about the Optivity Telephony Manager application, its requirements, and how to install it, see the Optivity Telephony Manager documentation.

Communication Server 1000 Expansion documentation

If you need to refer to the following Communication Server 1000 technical documents, they are stored on the Customer Documentation Library CD-ROM (NTLH80BA) provided with your Communication Server 1000 system:

- *Communication Server 1000 Planning and Installation Guide*

Note: This guide is also provided in printed format with your Communication Server 1000 system.

- *Communication Server 1000 Input/Output X21 Administration*
- *Communication Server 1000 Input/Output X21 Maintenance*

You can search the entire suite of documentation online, or you can print part or all of a guide.

What is next?

Continue with ["Installing the 202i server" \(page 39\)](#).

Installing the 202i server in the Communication Server 1000 Expansion switch

This section describes how to install the 202i server inside the Media Gateway Expansion.

Before you begin

Determine which pair of consecutive slots are to contain the 202i server. The following table identifies the Media Gateway Expansion slots into which you install the CallPilot 202i server:

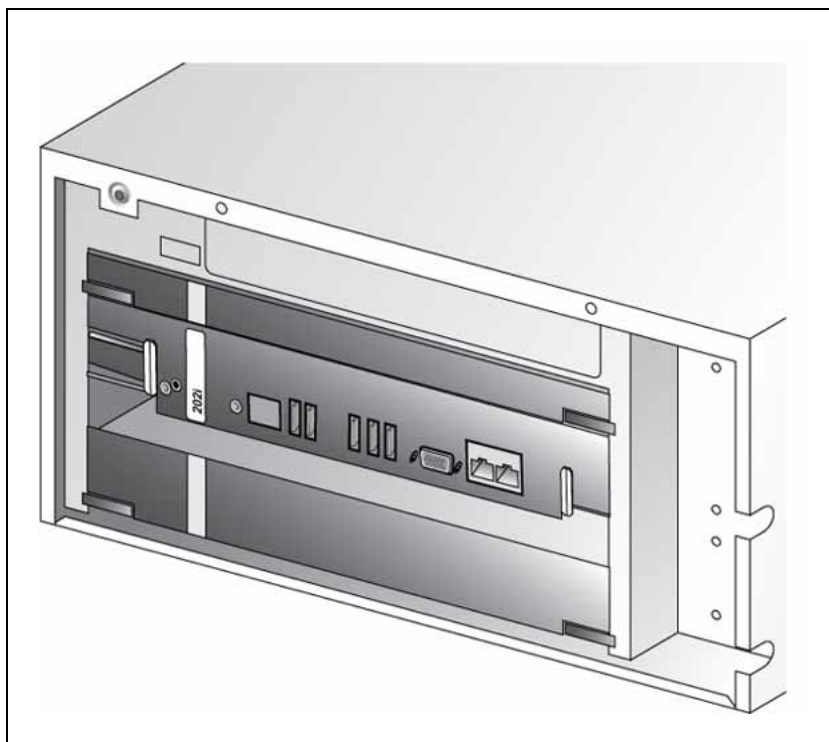
Unit	The 202i server can be installed in	Ineligible slots
Media Gateway Expansion	Slots 7 and 8	
	Slots 8 and 9	
	Slots 9 and 10	

For more information about card slots, see the *Communication Server 1000 Planning and Installation Guide*.

For the logical slot numbers that you must use when you configure the Communication Server 1000 Expansion switch, see ["Card slots" \(page 36\)](#).

Installing the 202i server inside the Media Gateway Expansion

Step	Action
1	Ensure no MDF cables are connected to the back of the slots in which you install the 202i server.
2	Open the lock latches at the top and bottom of the 202i server faceplate.
3	Slide the 202i server into an unoccupied pair of slots. Ensure the 202i server is positioned correctly between the slots.



ATTENTION

Do not push the 202i server into place against the backplane until you are ready to observe the startup cycle.

If the Media Gateway Expansion is connected to a power source, the 202i server receives power as soon as it makes contact with the backplane.

—End—

What is next?

Complete the 202i server installation in the switch. See Chapter 7 "Connecting peripheral devices" (page 44).

Chapter 7

Connecting peripheral devices to the 202i server

In this chapter

"Overview" (page 43)

"Installing the monitor, keyboard, and mouse" (page 46)

"Connecting the DVD/CD-ROM, tape drive, and backup device" (page 46)

"Connecting the 202i server to the switch, ELAN subnet, and Nortel server subnet" (page 50)

"Connecting the modem" (page 51)

"Completing the installation" (page 53)

Overview

This section describes how to install the 202i server in the switch, connect peripheral devices, and start the 202i server.

Connecting the 202i server to the network

The ELAN subnet and Nortel server subnet connections are established by connecting to the RJ-45 Ethernet connectors on the faceplate of the 202i server.

The RJ-45 CLAN and ELAN connectors support the following network protocols:

- ELAN: 10/100Base-T Ethernet
- CLAN (Nortel subnet LAN): 10/100Base-T Ethernet

Connecting peripheral devices

The monitor, keyboard, and mouse must be connected. The modem must be connected to perform certain activities.

Monitor, keyboard, and mouse

Connect the monitor, keyboard, and mouse to the 202i server faceplate so that you can

- observe the 202i server startup process
- run the Configuration Wizard
- perform initial administration after installation

The 202i server is not intended to operate with permanent monitor, keyboard, and mouse connections. After you start and configure the 202i server, remove the monitor, keyboard, and mouse. For day-to-day administration, use a Web browser on a PC that connects to the CLAN subnet or Nortel server subnet.

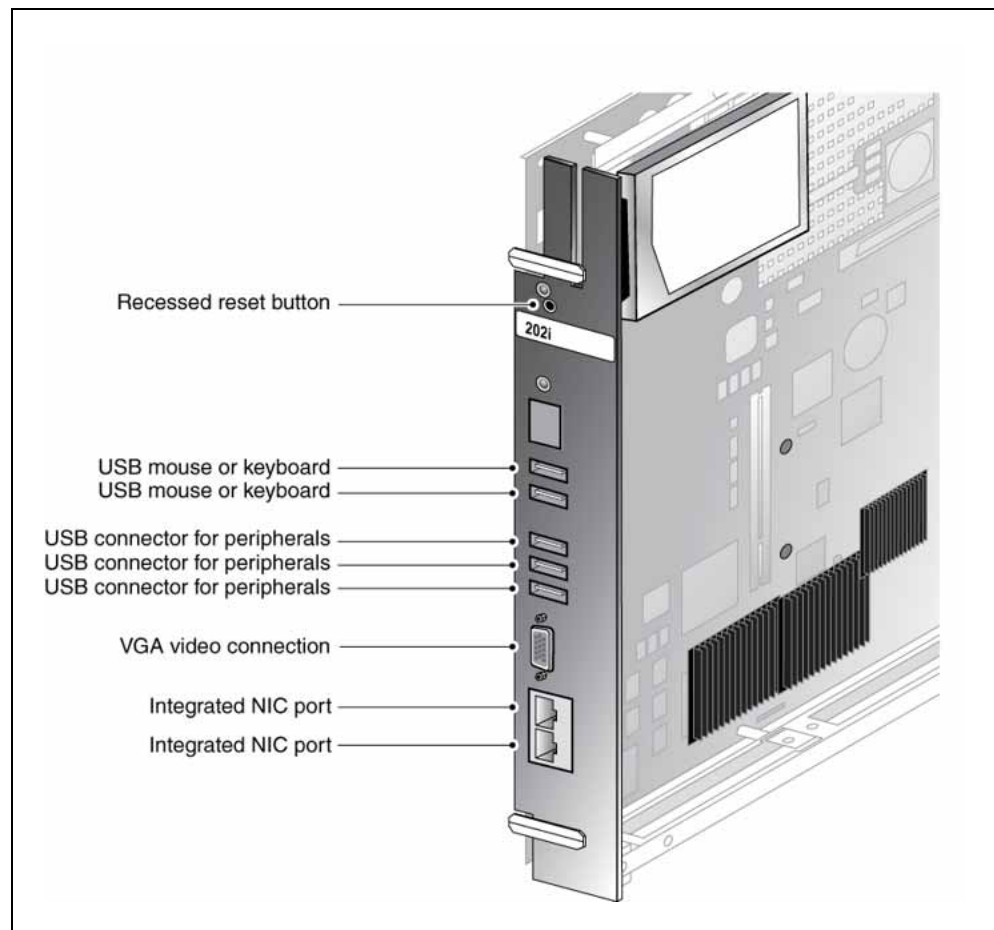
Modem

The modem must be connect to the 202i server if

- you want to administer the 202i server from a remote location that does not have access to the Nortel server subnet.
- you need assistance from Nortel technical support.

202i server faceplate and peripheral device connectors

The following diagram identifies the peripheral device connectors and slots on the 202i server faceplate.



Starting the 202i server

When you lock the 202i into position against the switch backplane, the server starts automatically. You can observe the startup process on both the monitor and the 202i server faceplate.

ATTENTION

Ensure all peripheral devices are connected before you lock the 202i server in position against the backplane.

The 202i server receives power and starts when the connection with the backplane is established.

What is next?

Continue with ["Installing the monitor, keyboard, and mouse" \(page 46\)](#).

Installing the monitor, keyboard, and mouse

You must connect the monitor, keyboard, and mouse to the 202i server so that you can

- observe the 202i server startup process.
- run the Configuration Wizard.
- perform initial administration after installation.

Note: The 202i server is not intended to operate with permanent monitor, keyboard, and mouse connections. After you start and configure the 202i server, remove the monitor, keyboard, and mouse. For day-to-day administration, use a Web browser on a PC that is connects to the ELAN subnet or Nortel server subnet. The faceplate connectors are not recessed so the cabinet door cannot be closed when these devices are connected to the server.

Hardware requirement

The following hardware is required

- DB15 video connection monitor
- USB keyboard
- USB mouse

Connecting the monitor, keyboard, and mouse

Connecting the monitor, keyboard, and mouse

Step	Action
------	--------

- | | |
|---|--|
| 1 | Connect the monitor to the 202i server faceplate. |
| 2 | Connect the monitor power cord, and then power up the monitor. |
| 3 | Connect the keyboard and mouse to USB connectors on the 202i server faceplate. |
-

—End—

What is next?

Continue with ["Connecting the DVD/CD-ROM, tape drive, and backup device" \(page 46\)](#).

Connecting the DVD/CD-ROM, tape drive, and backup device

The following sections show how to connect the DVD/CD-ROM, tape drive, and backup device.

Note: Legacy Option11C cabinet PBXs with the flat door panels have 1" faceplate spacing between the card faceplate and cabinet door. To facilitate live full time USB peripheral connection on the wall mount Option11C you must use a short profile right angle 10" USB extension cable Nortel CPC N0171258. Other Nortel PBXs have greater spacing and do not require the mentioned cable.

Connecting the N0169520 DVD/CD-ROM

Note: Any third-party customer-supplied USB extension cable must not exceed five meters in length to avoid possibly signal degradation.

Use of common external third-party USB expander hubs may work to help reduce cable congestion but is not supported by Nortel product support.

Connecting the N0169520 DVD/CD-ROM

Step	Action				
1	Perform one of the following procedures.				
	<table border="1"> <thead> <tr> <th>If the switch is</th> <th>THEN</th> </tr> </thead> <tbody> <tr> <td>a large Meridian 1 (such as Option 61C/81C) or CS 1000M</td> <td> <p>a. Install the NTRH32AAE6 USB adapter plate kit following the instructions supplied with the kit to provide coupler access from the front to the rear of the switch.</p> <p>b. Use the USB extension cable provided with the NTRH32AAE6 USB adapter plate kit to route two USB connections from the faceplate to along side the M1 chassis towards the rear access panel.</p> <p>c. Plug in the USB cable to the front side of the USB coupler.</p> <p>d. Connect the DVD USB cable to the I/O panel side and out the door cut-outs to the peripheral DVD player.</p> </td> </tr> </tbody> </table>	If the switch is	THEN	a large Meridian 1 (such as Option 61C/81C) or CS 1000M	<p>a. Install the NTRH32AAE6 USB adapter plate kit following the instructions supplied with the kit to provide coupler access from the front to the rear of the switch.</p> <p>b. Use the USB extension cable provided with the NTRH32AAE6 USB adapter plate kit to route two USB connections from the faceplate to along side the M1 chassis towards the rear access panel.</p> <p>c. Plug in the USB cable to the front side of the USB coupler.</p> <p>d. Connect the DVD USB cable to the I/O panel side and out the door cut-outs to the peripheral DVD player.</p>
If the switch is	THEN				
a large Meridian 1 (such as Option 61C/81C) or CS 1000M	<p>a. Install the NTRH32AAE6 USB adapter plate kit following the instructions supplied with the kit to provide coupler access from the front to the rear of the switch.</p> <p>b. Use the USB extension cable provided with the NTRH32AAE6 USB adapter plate kit to route two USB connections from the faceplate to along side the M1 chassis towards the rear access panel.</p> <p>c. Plug in the USB cable to the front side of the USB coupler.</p> <p>d. Connect the DVD USB cable to the I/O panel side and out the door cut-outs to the peripheral DVD player.</p>				

an Option 11C	<p>a. Given the short front faceplate area within the Option11C cabinet with the door closed, plug in the right angle N0171258 USB cable to one of the lower three USB ports on the 202i faceplate.</p> <p>b. Route the cable to the right side of the faceplate towards the Meridian Mail card slot on the far right.</p> <p>c. Route the DVD player USB cable up through the right side of the Meridian Mail slots to join the mating right angle USB extension cable.</p>
an Option 11C Mini Expansion or CS1000E	Route the USB cable from one of the lower three peripheral USB ports on the 202i server faceplate and out the side access panel cut-out to the USB DVD player.

—End—

Connecting the tape drive

The 202i server no longer contains SCSI connections as found in earlier 200 series products. To connect to the legacy SCSI tape drive, you need the USB-to-SCSI adapter cable found in new SLR75 tape drive kit purchases or separately purchased as a FRU (for more information see the product catalog or consult with your Nortel sales representative).

You need an external Tandberg SLR75 tape drive with USB to SCSI adapter cable or RDX drive or a CLAN network connection in order to facilitate CallPilot backups.

This section describes the procedures for the following drive:

- external SCSI Tandberg SLR75 tape drive

Note: Any third-party customer-supplied USB extension cable must not exceed five meters in length to avoid possibly signal degradation.

Use of common external third-party USB expander hubs may work to help reduce cable congestion but is not supported by Nortel product support.

Connecting the tape drive

Step	Action
------	--------

1 Perform the following steps.

IF the switch is	THEN
a large Meridian 1 (such as Option 61C/81C) or CS 1000M	<p>a. Install the NTRH32AAE6 USB adapter plate kit following the instructions supplied with the kit to provide coupler access from the front to the rear of the switch.</p> <p>b. Use the USB extension cable provided with the NTRH32AAE6 USB adapter plate kit to route two USB connections from the faceplate to along side the M1 chassis towards the rear access panel.</p> <p>c. Plug in the USB cable to the front side of the USB coupler.</p> <p>d. Connect the tape drive USB cable to the I/O panel side and out the door cut-outs to the peripheral tape drive.</p>
an Option 11C	<p>a. Given the short front faceplate area within the Option11C cabinet with the door closed, plug in the right angle N0171258 USB cable to one of the lower three USB ports on the 202i faceplate.</p> <p>b. Route the cable to the right side of the faceplate towards the Meridian Mail card slot on the far right.</p> <p>c. Route the tape drive cable up through the right side of the Meridian Mail slots to join the mating right angle USB extension cable.</p>
an Option 11C Mini Expansion or CS 1000E	Route the USB cable from one of the lower three peripheral USB ports on the 202i server faceplate and out the side access panel cut-out to the USB tape drive.

2 Set the SCSI ID (on the back of the tape drive) to 6.

3 Connect the SCSI terminator to one of the two SCSI ports on the back of the tape drive.

4 Connect the USB to SCSI converter to the remaining SCSI port on the tape drive. The USB to SCSI converter does not require its own power supply.

5 Plug the power cable in to the tape drive.

- 6 Turn on the tape drive.
- 7 Plug the USB cable into the USB to SCSI converter and then into the rear of the USB coupler found on the back of the I/O access panel of the M1.

—End—

What is next?

Continue with "[Connecting the 202i server to the switch, ELAN subnet , and Nortel server subnet](#)" (page 50).

Connecting the 202i server to the switch, ELAN subnet, and Nortel server subnet

The Nortel server subnet and ELAN subnet connections are established by connecting to the RJ-45 Ethernet connectors on the faceplate of the 202i.

ATTENTION

For important considerations about using the ELAN in your network, see the *CallPilot Installation and Configuration Task List*.

To establish the switch and network connections

Step	Action
------	--------

- 1 Perform one of the following procedures.

IF you are install the 202i server in a	THEN
---	------

large Meridian 1 (for example, Option 61C/81C)	<ol style="list-style-type: none">a. Install the NTDW69AAE5 adapter plate kit following the instructions supplied with the kit to provide coupler access.b. Route the Ethernet cables from the 202i faceplate along side the access panel to the coupler interface.c. From the back of the I/O panel, connect a second RJ45 network cable to the panel side and outwards to the target switch or hub.
--	---

IF you are install the 202i server in a	THEN
Option 11C	<p>a. To ensure regulatory compliance special Ethernet cable adapters (NTDK8305E6) are required. For more information, see Chapter 8 "Regulatory compliance" (page 55).</p> <p>b. Connect the male end to the 202i faceplate ensuring that the exposed shielding part down the male end touches the metal cable guide.</p> <p>c. Route the remaining cable up under the chassis towards the right exposed Meridian Mail card slots. If a MGC or CP-PM is present, tie-wrap all four adapter cables together ensuring their exposed shieldings are touching each other.</p> <p>d. Route the cable downward out the chassis.</p> <p>e. Connect the mating RJ45 Ethernet cable to the female end of the extension cable.</p>
Option 11C Mini Expansion or CS 1000 Expansion	Connect the two RJ45 network cables to the front faceplate of the 202i and out the through the right access panel cut-outs.

Note: Ensure the cable is securely fastened.

—End—

What is next?

Continue with ["Connecting the modem" \(page 51\)](#).

Connecting the modem

You must connect the modem to the 202i server if

- you want to administer the 202i server from a remote location that does not have access to the Nortel server subnet.
- you need assistance from Nortel technical support.

Required equipment

To install the modem, you need the following items:

- analog external modem that includes

- RJ-11 analog phone cord
- 56 Kbps modem
- analog line jack

To connect the modem

Step	Action
------	--------

- | | |
|---|--|
| 1 | Connect one end of the RJ-11 phone cord to the line jack on the modem and the other end to an analog jack. |
|---|--|



CAUTION
Risk of equipment damage

Connect the modem to an analog line only. The use of a non analog line (for example, digital or multiline) can damage the modem.

- | | |
|---|--|
| 2 | Perform one of the following procedures. |
|---|--|

If the switch is	THEN
a large Meridian 1 (such as Option 51) or CS 1000M	<p>a. Install the NTRH32AAE6 USB adapter plate kit following the instructions supplied with the kit to provide coupler access from the front to the rear of the switch.</p> <p>b. Use the USB extension cable provided with the NTRH32AAE6 USB adapter plate kit to route two USB connections from the faceplate to along side the M1 chassis towards the rear access panel.</p> <p>c. Plug in the USB cable to the front side of the USB coupler.</p> <p>d. Connect the modem USB cable to the I/O panel side and out the door cut-outs to the peripheral DVD player.</p>

<p>an Option 11C</p>	<p>a. Given the short front faceplate area within the Option11C cabinet with the door closed, plug in the right angle N0171258 USB cable to one of the lower three USB ports on the 202i faceplate.</p> <p>b. Route the cable to the right side of the faceplate towards the Meridian Mail card slot on the far right.</p> <p>c. Route the modem USB cable up through the right side of the Meridian Mail slots to join the mating right angle USB extension cable.</p>
<p>an Option 11C Mini Expansion or CS1000E</p>	<p>Route the USB cable from one of the lower three peripheral USB ports on the 202i server faceplate and out the side access panel cut-out to the USB modem.</p>

Note: The modem receives power from the 202i server USB port.

Ensure the modem is receiving power by checking that at least one LED on the front panel is lit.

- 3 Place the modem in an area where it cannot be accidentally damaged or where people cannot trip over attached cords.

—End—

What is next?

Continue with "[Completing the installation](#)" (page 53).

Completing the installation

To finish installing the 202i server, lock the 202i into position. The server starts automatically.

ATTENTION

When you connect the optional Nortel server subnet, do not power up unless your antivirus programs and Nortel security updates are installed first.

To complete the installation and start the 202i server

Note: Ensure the switch in which the 202i is installed is powered on.

Step	Action
1	Ensure all peripheral devices are powered up (including the 202i shelf).
2	Push the 202i server gently but firmly until it is flush with the backplane. Result: The 202i server power LED flashes three times.
3	Close the lock latches to secure the 202i server to the backplane.
4	Ensure the power status LED is lit.
5	Watch the HEX display on the 202i server. The HEX display shows T:01 through T:08, and then HOST. This takes about 13 seconds. Result: The operating system boot sequence begins, and communication with the switch occurs. The HEX display shows NT (for about 30 seconds) followed by OK. Note 1: The system reboots more than once. The HEX display repeats with each reboot. Note 2: Before OK appears, one of the following messages can appear, but not for more than 1 second: CDLN, C:01,. This is normal operation. If OK does not appear, see the CallPilot server maintenance and diagnostics guide for your server for troubleshooting instructions.
6	Ensure the operating system logon window appears on the monitor. If the logon window does not appear, see the CallPilot <server model> <i>Server Maintenance and Diagnostics</i> guide for your server for troubleshooting instructions.

—End—

What is next?

Proceed with the *CallPilot <switch model> and CallPilot Server Configuration* guide for your switch and server to connect and configure the server and switch.

Chapter 8

Regulatory compliance

The CallPilot 202i has been homologated in order to meet various regulatory compliances. Each switch type has different requirements in terms of suggested cabling routes and where applicable cable ferrite suppressors.

Depending on your switch type, ensure the instructions found within these packages are followed.

Package	Switch
NTUB202A	Option 11C Mini Chassis
NTUB202B	Option 11C Wall Mount Chassis
NTUB202C	Option 61/81C Large M1 Chassis

Index

Symbols/Numerics

202i server
 Communication Server 1000 card
 slots 39
 Communication Server 1000 Expansion
 card slots 36
 components, diagram 13
 damaged, what to do 27
 faceplate
 connections 19
 description 14, 15
 diagram 13, 44
 inspecting 26
 installation
 checklist 23, 25
 prerequisites 27
 installing
 Communication Server 1000
 Expansion 40
 large Meridian 1 systems 29
 Option 11C 31
 Option 11C Mini Expansion 31
 motherboard, description 13
 network setup
 Communication Server 1000
 Expansion 17
 Meridian 1 16
 peripheral device connectors, diagram 44
 primary components 13
 relative humidity 16
 reset button 15
 starting 45, 54, 54
 temperatures 16
 unpacking 26

A

administration software 38

B

booting the server 45, 54, 54

C

cable, multi I/O
 connections, establishing
 modem 52
 network 50
 switch 50
 connectors
 CLAN 15
 ELAN 15
 installing
 Communication Server 1000
 Expansion 51
 large Meridian 1 system 50
 Option 11C 51
 Option 11C Mini Expansion 51
 card slots
 Communication Server 1000
 Expansion 36
 configuring 37
 cautions
 modem and telephone line 52
 checklist, installation 23, 25
 Communication Server 1000 Expansion
 card slots 39
 configuring 37
 documentation 39
 network setup 17

- slot requirements 27
- system description 35
 - Call Server 35
 - Media Gateway expansion 36
 - software requirements 38
- connecting 202i server to
 - DVD/CD-ROM drive
 - Meridian 1 47
 - keyboard 46
 - modem 52
 - monitor 46
 - mouse 46
 - network 50, 51
 - switch 50, 51
 - tape drive
 - Meridian 1 47, 49
- connectors
 - 202i server faceplate 19
 - CLAN, multi I/O cable 15
 - ELAN, multi I/O cable 15
 - keyboard 19
 - monitor 19
 - mouse 19
 - VGA video 15
- cover, removing
 - small Meridian 1 systems 31
- D**
- damaged server, what to do 27
- devices, peripheral
 - DVD/CD-ROM drive 19
 - Ethernet hub 21
 - keyboard 21
 - modem 21
 - monitor 21
 - mouse 21
 - tape drive 19
- diagrams
 - 2021i server
 - components 13
 - 202i server
 - faceplate 13, 44
 - Communication Server 1000 Expansion
 - switch
 - Call Server 36
 - Media Gateway Expansion 37
- cover removal
 - small Meridian 1 systems 31
- mouse, connecting 46
- documentation, Communication Server
 - 1000 Expansion 39
- DVD/CD-ROM drive
 - connecting
 - Meridian 1 47, 49
 - description 19
- E**
- ELAN subnet
 - requirements 18, 28
- environmental specifications
 - humidity 16
 - temperatures 16
- Ethernet hub 21
- F**
- faceplate, 202i server
 - connections 19
 - description 14, 15
 - diagram 13, 44
 - peripheral device connectors 44
- fax modem
 - connecting 52
- G**
- ground, single point 23
- H**
- hard drive activity LED, description 14
- hexadecimal (HEX) display 15
- humidity, 202i server 16
- I**
- inspecting the 202i server 26
- installing
 - 202i server
 - Communication Server 1000
 - Expansion switch 40
 - large Meridian 1 systems 29
 - overview 23, 25
 - prerequisites 27
 - small Meridian 1 systems 31

unpacking 26

K

keyboard 19
connecting 46
description 21
USB port 15

L

latches 14
LEDs
hard drive activity 14
power status 14

M

Meridian 1
network setup 16
slot requirements 27
modem 21
connecting 52
monitor 19
connecting 46
description 21
motherboard, 2021i server
description 13
mouse 19
connecting 46
description 21
USB port 15
multi I/O cable
connections
modem 52
network 50, 51
switch 50, 51
description
CLAN connector 15
ELAN connector 15
installing
large Meridian 1 system 50
Option 11C 51

N

network
connections, establishing with multi I/O
cable 50, 51

protocols, supported 18
requirements 18, 27

NIC ports

dual integrated
status LED 15

Nortel server subnet
requirements 18, 28

NTRH0912 cable

connections, establishing
network 50, 51
switch 50, 51

installing

large Meridian 1 system 50
Option 11C 51

P

part numbers

DVD/CD-ROM drive 19

Ethernet hub 21

keyboard 21

modem 21

monitor 21

mouse 21

tape drive 19

peripherals

USB ports 15

peripheral devices

DVD/CD-ROM drive 19

Ethernet hub 21

keyboard 21

modem 21

monitor 21

mouse 21

tape drive 19

power status LED, description 14

protocols, supported network 18

R

relative humidity, 202i server 16

reset button, description 15

S

server, 202i

components, diagram 13

damaged, what to do 27

- faceplate 13, 44
 - inspecting 26
 - installation
 - checklist 23, 25
 - prerequisites 27
 - installing
 - Communication Server 1000 Expansion 40
 - large Meridian 1 systems 29
 - Option 11C 31
 - Option 11C Mini Expansion 31
 - network setup
 - Communication Server 1000 Expansion 17
 - Meridian 1 16
 - peripheral device connectors, diagram 44
 - primary components 13
 - starting 45, 54, 54
 - unpacking 26
 - single-point ground 23
 - slot configuration, Communication Server 1000 Expansion 37
 - slot requirements 27
 - Communication Server 1000 Expansion 36, 39
 - small Meridian 1 systems 31
 - software
 - administration 38
 - Communication Server 1000 Expansion requirements 38
 - switch
 - connection, establishing with multi I/O cable 50, 51
 - requirements 27
- T**
- tape drive
 - connecting
 - Meridian 1 47, 49
 - description 19
 - temperatures, 202i server 16
- U**
- USB ports
 - keyboard, mouse, peripherals 15
- V**
- VGA video
 - description
 - connector 15

Nortel CallPilot

202i Server Hardware Installation

Copyright © 2009, Nortel Networks
All Rights Reserved.

Publication: NN44200-317
Document status: Standard
Document version: 01.01
Document date: 21 January 2009

To provide feedback or report a problem in this document, go to www.nortel.com/documentfeedback.

Sourced in Canada

The information in this document is subject to change without notice. The statements, configurations, technical data, and recommendations in this document are believed to be accurate and reliable, but are presented without express or implied warranty. Users must take full responsibility for their applications of any products specified in this document. The information in this document is proprietary to Nortel Networks.

Nortel, the Nortel logo, and the Globemark are trademarks of Nortel Networks.

*Microsoft, MS, MS-DOS, Windows, and Windows NT are registered trademarks of Microsoft Corporation.

All other trademarks and registered trademarks are the property of their respective owners.

