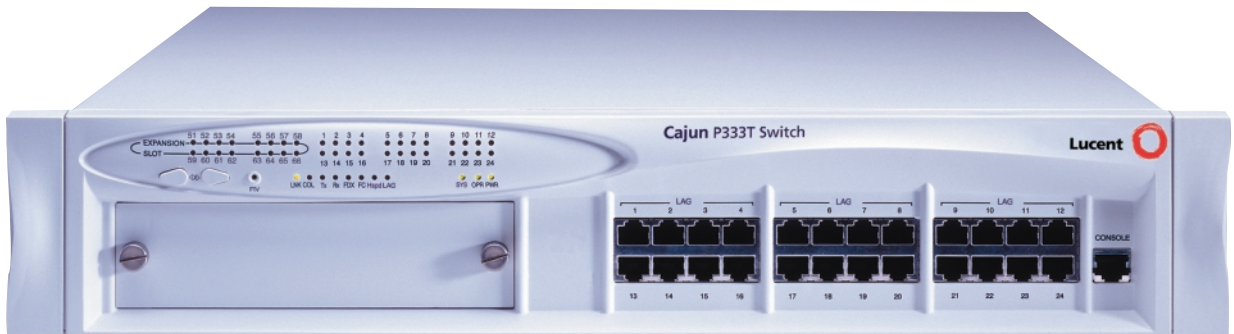




Cajun P333T Quick Start Guide



1. Unpack
2. Rack mount
3. Power up
4. Connect the cables
5. Configure
6. Run Web-based Manager (optional)



1. Unpack

Check the package contents for the following

- Cajun P333T Workgroup Switch
- Cajun P333T Quick Start Guide (this document)
- Cajun P333T Release Notes
- Cajun P330 Documentation and Utilities CD
- AC power cable
- RJ-45 to DB-9 serial adapter cable
- Four rubber feet
- Four screws with washers for rack mounting

ⓘ *Ethernet connection cables are not supplied*

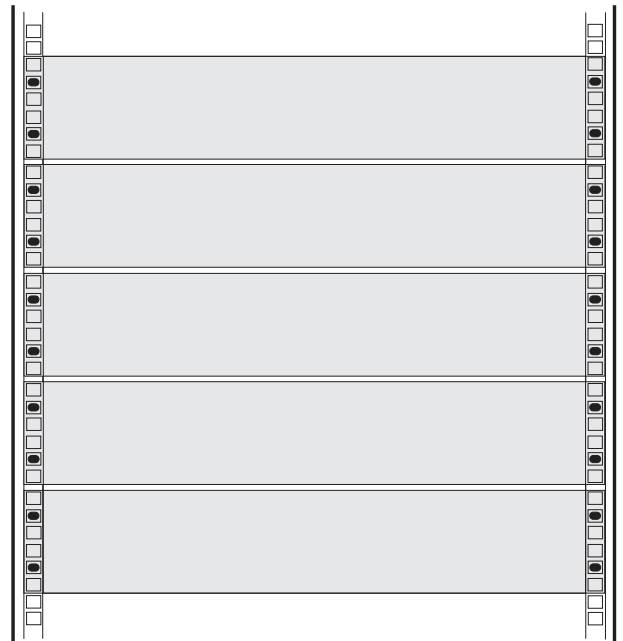
2. Rack mount



WARNING: Disconnect all cables from the switch before proceeding with the rack installation.

1. Snap open the ends of the front panel to reveal the screw holes.
 2. Position the unit in the rack.
 3. Secure the unit to the rack, taking care not to overtighten the screws.
 4. Snap closed the hinged ends of the front panel.
- You can now safely connect cables to the device.

Rack Mounting



Key

- Hole in rack
- Screw position

3. Power up

Cajun P333T AC Version

1. Insert the power cord into the appropriate power inlet (BUPS or Power Supply) in the back of the unit
 2. Insert the other end of the power cord into the electricity supply or the BUPS connector.
- ▶ The unit powers up and performs a self test procedure.

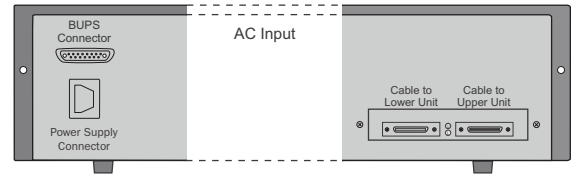
Cajun P333T DC Version



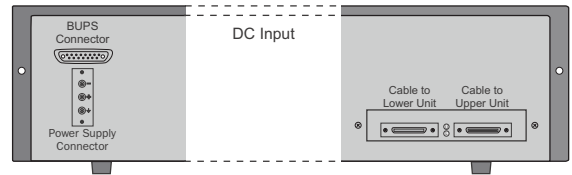
WARNING: Before performing any of the following procedures, ensure that DC power is OFF.

CAUTION: This product is intended for installation in restricted access areas and is approved for use with 18 AWG copper conductors only. The installation must comply with all applicable codes.

1. Connect the power cable to the switch at the input terminal block.
 - ① *The terminals are marked “+”, “-” and the IEC 5019a Ground symbol.*
 - ① *The size of the three screws in the terminal block is M3.5.*
 - ① *The pitch between each screw is 9.5mm.*
 2. Attach the appropriate lugs at the wire end of the power supply cord.
 3. Wire the DC power supply to the terminal block.
- ▶ The unit powers up and performs a self test procedure.



Cajun 333T Rear Connectors (AC version)



Cajun 333T Rear Connectors (DC version)



WARNING: The proper wiring sequence is:

- ground to ground
- positive to positive (line to L)
- negative to negative (neutral to N).

The ground wire should always be connected first and disconnected last.

4. Connect the cables

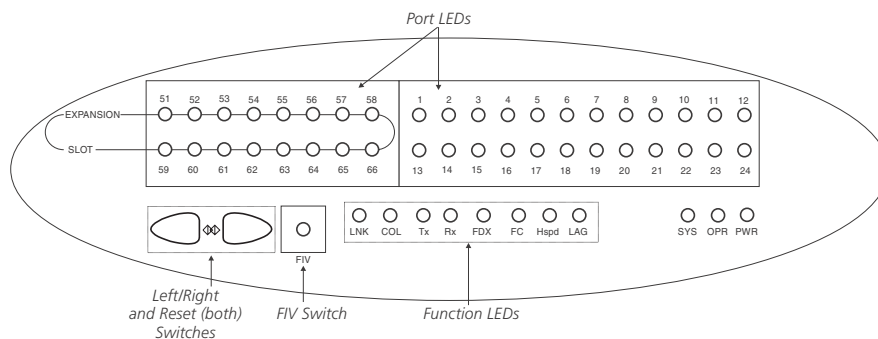
Connect PCs, servers, routers, workstations, and hubs

1. Connect the appropriate Ethernet connection cable (not supplied) to a 10/100 Mbps port on the front panel of the Cajun P333T.
 - ① *You should use standard RJ-45 connections. You must use CAT-5 cable for 100 Mbps operation.*
2. Connect the other end of the cable to the Ethernet port of the PC, server, router, workstation, switch or hub.
 - ① *You should use a cross cable when connecting the Cajun P333T to a switch or hub*
3. Check that the appropriate link (LNK) LEDs light up.

Connect the console cable

1. Connect the supplied special RJ-45 connector to the port marked “Console” on the front panel of the Cajun P333T.
2. Connect the other end of the cable to a terminal or PC with terminal emulation software installed.
3. Configure the serial port settings of the PC as follows:
 - 9600 Baud
 - No parity
 - 8 data bits
 - 1 stop bit
 - No flow control

Cajun P333T LEDs



FIV – Force Initial Version (see Cajun P333T User’s Guide)

PWR – Shows when power is on

OPR – Shows CPU boot status

SYS – Shows system status

LNK – When ON, link is OK

COL – When ON, indicates a collision on the port in HDX mode

Tx, Rx – Shows traffic activity for

transmitted and received packets

FDX – Shows Full/Half Duplex mode

FC – When ON, Flow Control is enabled for a port in FDX mode

Hspd – Shows speed of port (10 Mbps or 100/1000 Mbps)

LAG – When ON, the port is included in a Link Aggregation Group (LAG).

5. Basic configuration

To connect a PC terminal or VT-100 terminal to the Cajun P333T

① *This section presumes that you have made the connection to the console port as described in section 4.*

1. If you are using a PC, initiate a VT-100 terminal emulation session using an application such as Windows® HyperTerminal.
2. Press Enter
 - ▶ The Welcome to Cajun P330 menu is displayed.
3. Enter the User name root when prompted.
4. Enter the User Level password root when prompted.
 - ▶ The prompt Cajun_P330-N> appears
 - ① *N is the number of the switch in the stack.*
5. Enter enable to enter the Privileged level.
6. At the Cajun_P330-N# prompt, type:
set interface <inband> <vlan>
<ip_address> <netmask>
7. Replace <vlan>, <ip_address> and <netmask> with the VLAN, IP address and net mask of the stack.
8. Press Enter to save the IP address and net mask.
9. Enter reset and press Enter to reset the stack at the Cajun_P330-N# prompt
10. After the Reset, perform login to Privileged level again as described above.

11. At the Cajun_P330-N> prompt, enter
set ip route <dest><gateway>
where you replace <dest> and <gateway> with the destination and gateway IP addresses.
12. Press Enter to save the destination and gateway IP addresses.

To Establish a Telnet Session to the Cajun P333T via the Network

1. Verify that the Cajun P333T and your PC are on the same local network. There are two ways to ensure this:
 - Change the PC's IP address so that it will be on the same subnet as the Cajun P333T.
 - ① *Refer to Chapter 5 of the Cajun P333T User's Guide for details.*
 - Change the IP address of the Cajun P333T.
 - ① *Refer to the instructions opposite for details.*
2. Start the Telnet session at the prompt by typing telnet
<cajun_P333T_IP_address>, e.g.,
telnet 149.49.32.134.
3. Enter the User name root when prompted.
4. Enter the User Level password root when prompted.
 - ▶ You have now established a telnet session to the Cajun P333T and can perform configuration.

Setting the Mandatory Parameters

If you wish to change the default parameters shown and configure the mandatory parameters, Lucent recommends that you use the

Command Line Interface (CLI).

① *For further information, please refer to Chapter 5 of the Cajun P333T User's Guide.*

Default Switch Parameters

Configuration Parameter	Default Setting
Cajun P330 IP Address	149.49.32.134
BootP Mode	Never
Default Gateway	0.0.0.0
Management PC SLIP IP Address	192.168.10.2
VLAN Management ID	1
Spanning Tree	Enabled
TFTP Mode	Limited
TFTP Server	0.0.0.0
TFTP File Name	viisa

Default Port Parameters

Configuration Parameter	Default Setting
Port Speed and Duplex Mode	<ul style="list-style-type: none">• 10/100M-TX ports: Auto-negotiation• 100Base-FX ports: 100 Mbps full duplex• 1000Base-FX ports: 1000 Mbps full duplex
Flow Control	<ul style="list-style-type: none">• 10/100 and 100 Mbps: Disabled• 1000 Mbps: Disabled (no pause)
Backpressure	<ul style="list-style-type: none">• 10/100: Enabled (When in half duplex mode)• 100Base-FX & 1000 Mbps: Not applicable
Auto-negotiation	<ul style="list-style-type: none">• 10/100M-TX ports: Enabled• 100Base-FX ports: Not applicable• 1000Base-FX ports: Enabled
Administration State	Enabled
Port VLAN ID	1
Tagging Mode	Clear
Port Priority	Regular

6. Run the Web-Based Manager (optional)

The P330 Web-based Manager allows you to configure the P333T switch from your PC.

System Requirements

Minimum hardware and Operating System requirements are:

- Windows® 95 or NT® 4.0 or higher
- Pentium® 200 Mhz-based computer with 64 Mb of RAM (Pentium-II recommended)
- Minimum screen resolution of 1024 x 768 pixels
- Microsoft® Internet Explorer® 4 or higher **or**
- Netscape Navigator® 4.x or higher
- Sun Microsystems Java™ plug-in version 1.2.2 (supplied)

Running the Embedded Manager

❶ *You should assign an IP address to the P333T before starting this procedure*

1. Open your browser.
 2. Enter the URL of the switch in the form `http://aaa.bbb.ccc.ddd`
 - ❶ *aaa.bbb.ccc.ddd is the IP address of the switch*
- ▶ You are prompted to log into the switch.
- ❶ *The user name is "root"
The default password for read-only access is "root"
The default password for read-write access is "enable" or "super"*
 - ❶ *The Web management passwords are the same as those of the CLI. If you change the*

passwords in the CLI then use those passwords for Web management as well.

- ▶ The welcome page is displayed.
- ▶ If you have the Java plug-in installed the Web-based manager should open in your browser.
- ▶ If you do not have the Java plug-in a message appears.
 - ❶ *If the network manager has configured the system the plug-in should be installed automatically.
There are three ways to install the plug-in manually:*
- **Either** install the plug-in from the CD as follows:
 1. Close all unnecessary applications on your PC.
 2. Insert the "Cajun P330 Documentation and Utilites" CD in the CD drive.
 3. Click Start on the Task bar.
 4. Select Run.
 5. Type `x:\emweb-aux-files\plug in_1_2_2.exe` (where `x:` is the CD drive letter)
 6. Follow the instructions on screen.
- **Or** install the plug-in from the Lucent site by clicking on the link on the welcome page.
- **Or** Install the plug-in from local site by clicking the link on the welcome page (only available if the network manager has placed the files on that site).

Documentation and Online Help

Refer to the Cajun P330 Documentation and Utilites CD for full instructions